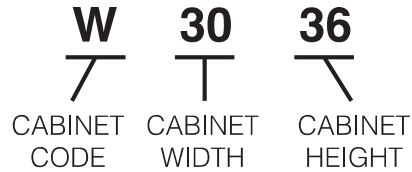


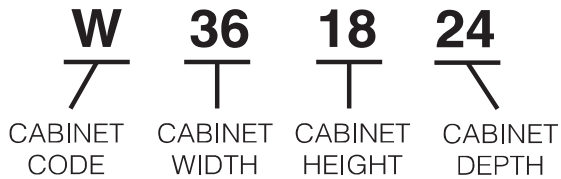
PRODUCT SPECS WALL CABINETS

Wall Cabinet Coding

Standard (12" Deep)



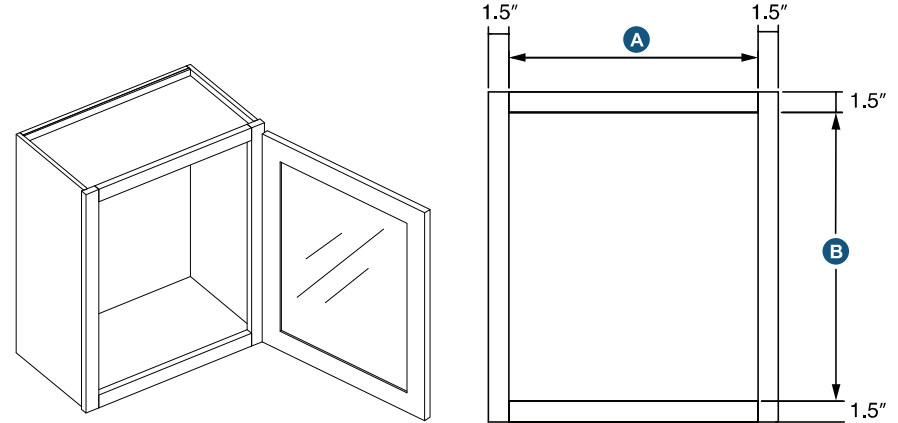
Refrigerator



Notes:

- Standard wall cabinets are 12" deep. Refrigerator cabinets are 24" deep.
- Add door thickness for total cabinet depth.
- Please refer to the Products by Cabinet Line chart to determine which products are carried for each cabinet line.

15" Wall Stacking Cabinets with Glass

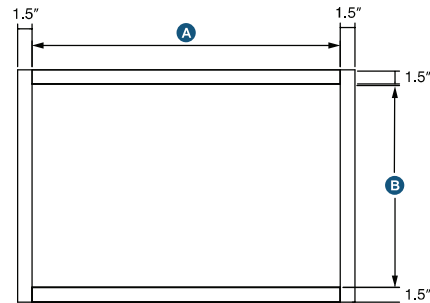
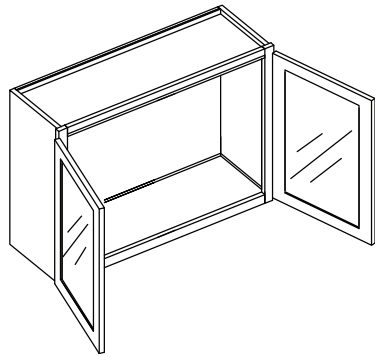


Item Code	Outer Dimensions			Opening Size		Door Size	
	W	H	D	A	B	W	H
WS1215	12"	15"	12"	9"	12"	11.5"	13.75"
WS1515	15"	15"	12"	12	12"	14.5"	13.75"
WS1815	18"	15"	12"	15	12"	17.5"	13.75"
WS2115	21"	15"	12"	18	12"	20.5"	13.75"

**Door comes pre-routed with glass insert and finished interior*

PRODUCT SPECS WALL CABINETS

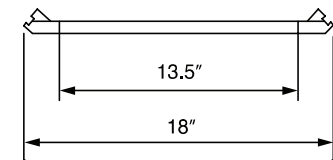
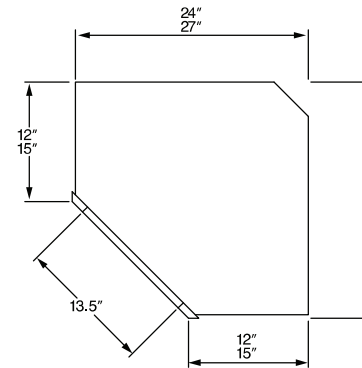
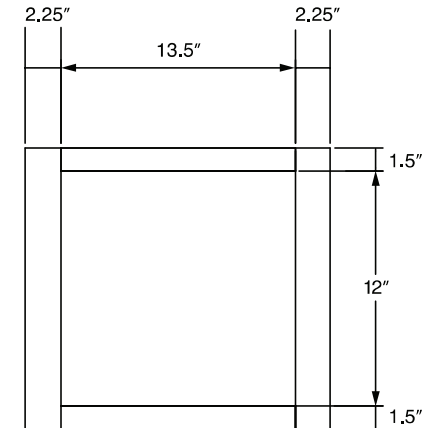
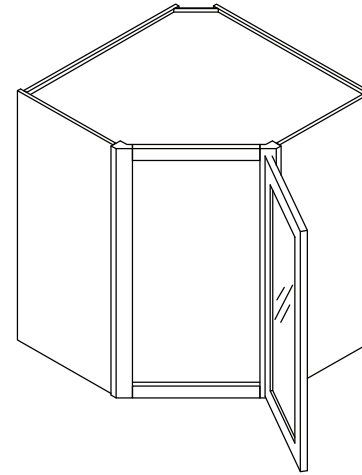
15" Wall Stacking Cabinets with Glass



Item Code	Outer Dimensions			Opening Size		Door Size (x2)	
	W	H	D	A	B	W	H
WS2415-2	24"	15"	12"	21"	12"	11.6875"	13.75"
WS2715-2	27"	15"	12"	24"	12"	13.1875"	13.75"
WS3015-2	30"	15"	12"	27"	12"	14.6875"	13.75"
WS3315-2	33"	15"	12"	30"	12"	16.1875"	13.75"
WS3615-2	36"	15"	12"	33"	12"	17.6875"	13.75"

*Door comes pre-routed with glass insert and finished interior

15" Corner Wall Stacking Cabinet with Glass

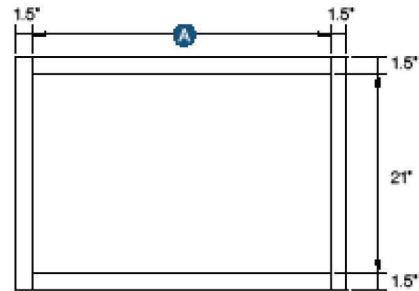
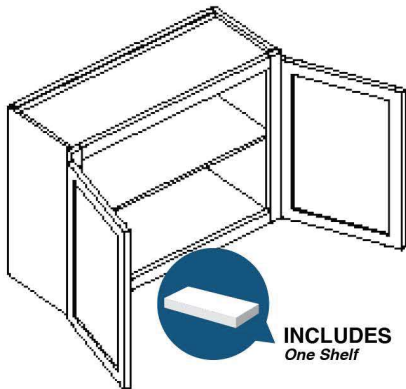


Item Code	Outer Dimensions			Opening Size		Door Size	
	W	H	D	W	H	W	H
CWS2415	24"	15"	12"	13.5"	12"	14.5"	13.75"
CWS2715	27"	15"	12"	13.5"	12"	14.5"	13.75"

*Door comes pre-routed with glass insert and finished interior

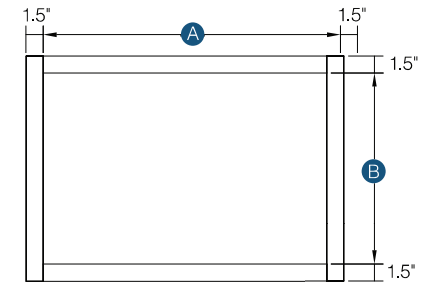
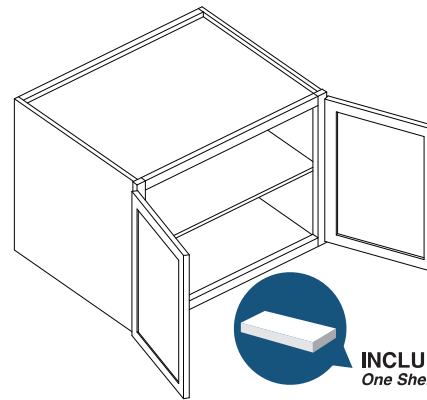
PRODUCT SPECS WALL CABINETS

24" High Double Door Wall



Item Code	Outer Dimensions			Opening Size		Door Size (x2)	
	W	H	D	A	H	W	H
W3024	30"	24"	12"	27"	21"	14.6875"	22.75"
W3324	33"	24"	12"	30"	21"	16.1875"	22.75"
W3624	36"	24"	12"	33"	21"	17.6875"	22.75"

24" Deep Wall (Refrigerator Cabinet)

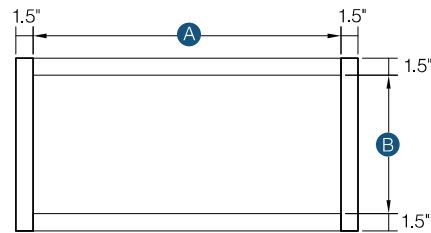
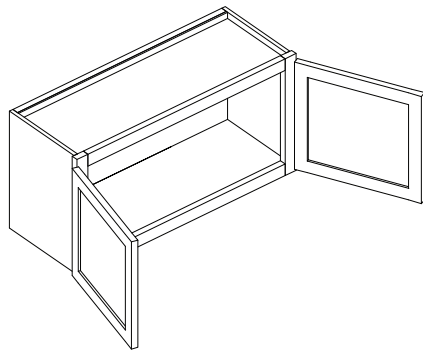


Item Code	Outer Dimensions			Opening Size		Door Size (x2)	
	W	H	D	A	B	W	H
W331824*	33"	18"	24"	30"	15"	17.6875"	16.75"
W332424	33"	24"	24"	30"	21"	17.6875"	16.75"
W361824*	36"	18"	24"	33"	15"	17.6875"	22.75"
W362424	36"	24"	24"	33"	21"	17.6875"	22.75"

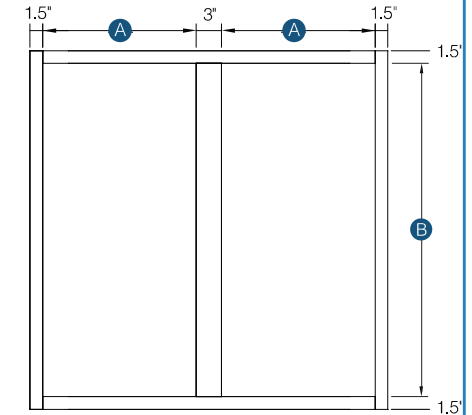
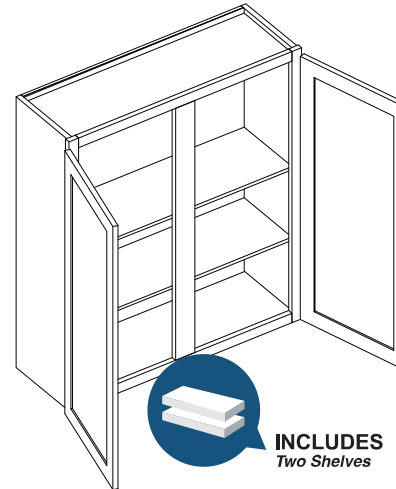
*331824 and 361824 do not have a shelf

PRODUCT SPECS WALL CABINETS

12" - 21" High Double Door Wall



30" - 36" High Double Door Wall with Center Stile

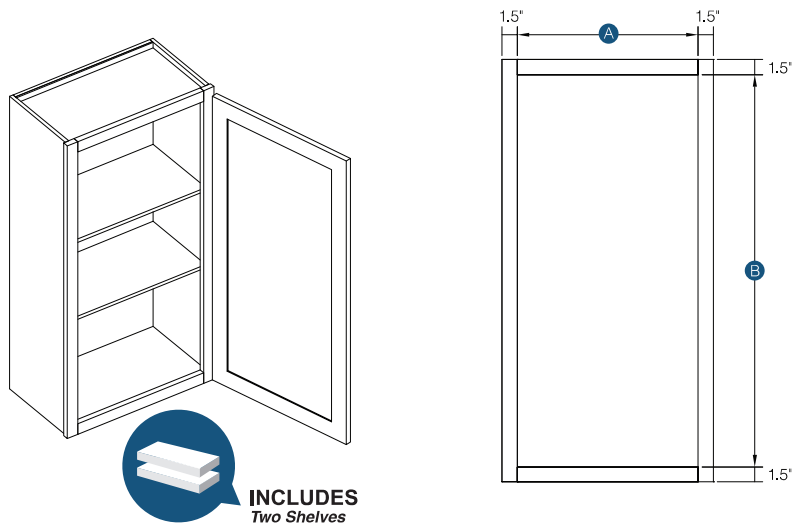


Item Code	Outer Dimensions			Opening Size		Door Size (x2)	
	W	H	D	A	B	W	H
W3012	30"	12"	12"	27"	9"	14.6875"	10.75"
W3312	33"	12"	12"	30"	9"	16.1875"	10.75"
W3612	36"	12"	12"	33"	9"	17.6875"	10.75"
W3015	30"	15"	12"	27"	12"	14.6875"	13.75"
W3315	33"	15"	12"	30"	12"	16.1875"	13.75"
W3615	36"	15"	12"	33"	12"	17.6875"	13.75"
W3018	30"	18"	12"	27"	15"	14.6875"	16.75"
W3318	33"	18"	12"	30"	15"	16.1875"	16.75"
W3618	36"	18"	12"	33"	15"	17.6875"	16.75"
W3021	30"	21"	12"	27"	18"	14.6875"	19.75"

Item Code	Outer Dimensions			Opening Size		Door Size (x2)	
	W	H	D	A	B	W	H
W4230	42"	30"	12"	18"	27"	20.5"	28.75"
W4236	42"	36"	12"	18"	33"	20.5"	34.75"

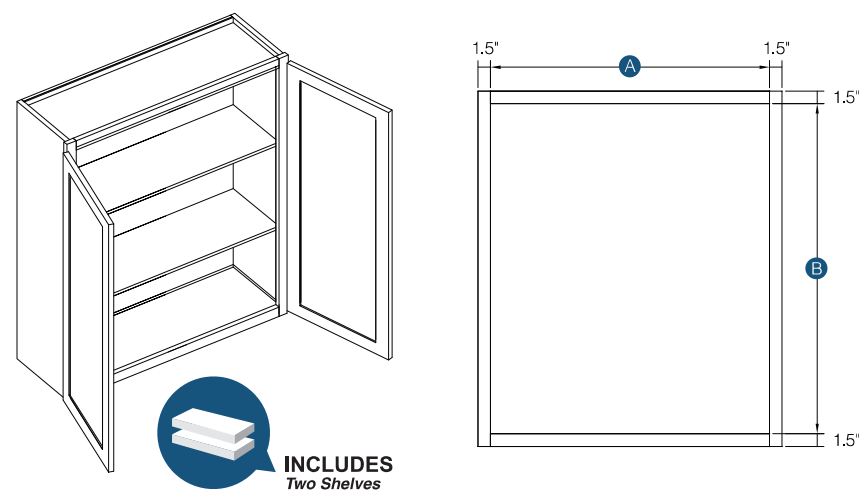
PRODUCT SPECS WALL CABINETS

30" - 36" High Single Door Wall



Item Code	Outer Dimensions			Opening Size		Door Size	
	W	H	D	A	B	W	H
W930	9"	30"	12"	6"	27"	8.5"	28.75"
W1230	12"	30"	12"	9"	27"	11.5"	28.75"
W1530	15"	30"	12"	12"	27"	14.5"	28.75"
W1830	18"	30"	12"	15"	27"	17.5"	28.75"
W2130	21"	30"	12"	18"	27"	20.5"	28.75"
W936	9"	36"	12"	6"	33"	8.5"	34.75"
W1236	12"	36"	12"	9"	33"	11.5"	34.75"
W1536	15"	36"	12"	12"	33"	14.5"	34.75"
W1836	18"	36"	12"	15"	33"	17.5"	34.75"
W2136	21"	36"	12"	18"	33"	20.5"	34.75"

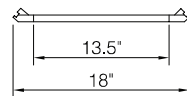
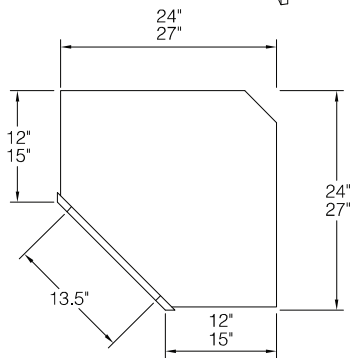
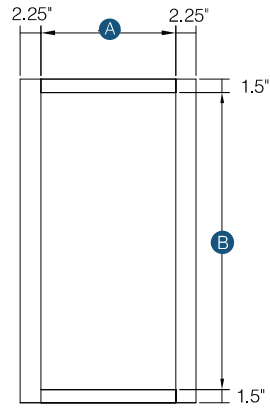
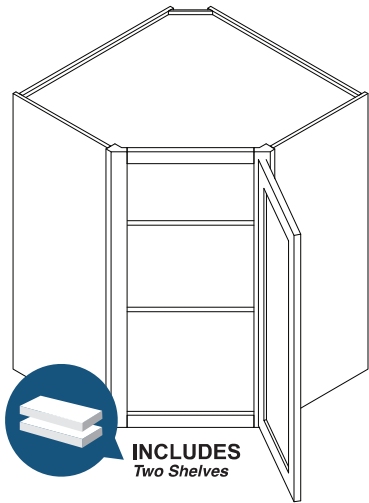
30" - 36" High Double Door Wall



Item Code	Outer Dimensions			Opening Size		Door Size (x2)	
	W	H	D	A	B	W	H
W2430-2	24"	30"	12"	21"	27"	11.6875"	28.75"
W2730	27"	30"	12"	24"	27"	13.1875"	28.75"
W3030	30"	30"	12"	27"	27"	14.6875"	28.75"
W3330	33"	30"	12"	30"	27"	16.1875"	28.75"
W3630	36"	30"	12"	33"	27"	17.6875"	28.75"
W3930	39"	30"	12"	36"	27"	19.1875"	28.75"
W2436-2	24"	36"	12"	21"	33"	11.6875"	34.75"
W2736	27"	36"	12"	24"	33"	13.1875"	34.75"
W3036	30"	36"	12"	27"	33"	14.6875"	34.75"
W3336	33"	36"	12"	30"	33"	16.1875"	34.75"
W3636	36"	36"	12"	33"	33"	17.6875"	34.75"
W3936	39"	36"	12"	36"	33"	19.1875"	34.75"

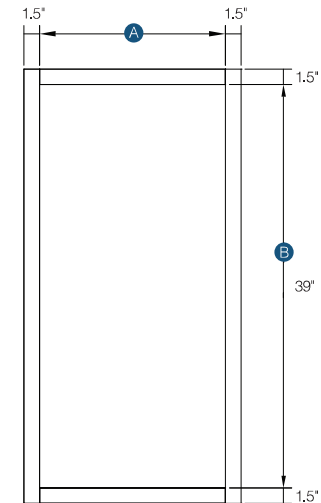
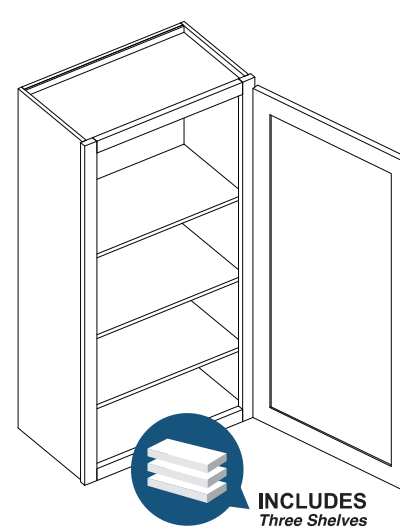
PRODUCT SPECS WALL CABINETS

30" - 36" High Corner Wall



Item Code	Outer Dimensions			Opening Size		Door Size	
	W	H	D	A	B	W	H
CW2430	24"	30"	12"	13.5"	27"	14.5"	28.75"
CW2436	24"	36"	12"	13.5"	33"	14.5"	34.75"
CW2736	27"	36"	15"	13.5"	33"	14.5"	34.75"

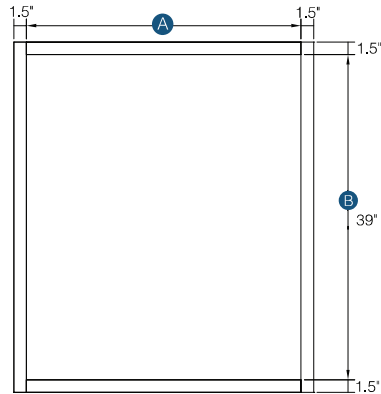
42" High Single Door Wall



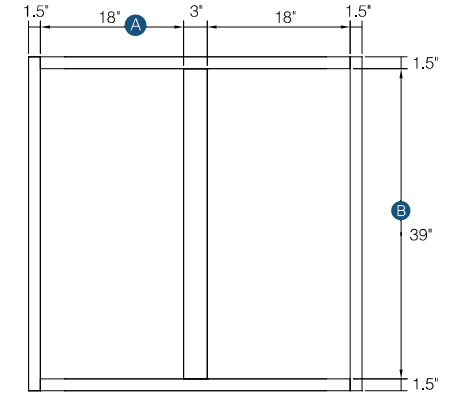
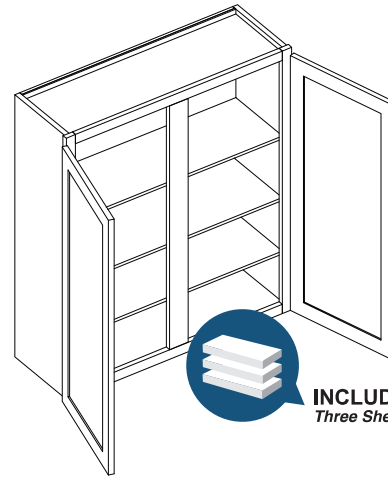
Item Code	Outer Dimensions			Opening Size		Door Size	
	W	H	D	A	B	W	H
W942	9"	42"	12"	6"	39"	8.5"	40.75"
W1242	12"	42"	12"	9"	39"	11.5"	40.75"
W1542	15"	42"	12"	12"	39"	14.5"	40.75"
W1842	18"	42"	12"	15"	39"	17.5"	40.75"
W2142	21"	42"	12"	18"	39"	20.5"	40.75"

PRODUCT SPECS WALL CABINETS

42" High Double Door Wall



42" High Double Door Wall with Center Stile

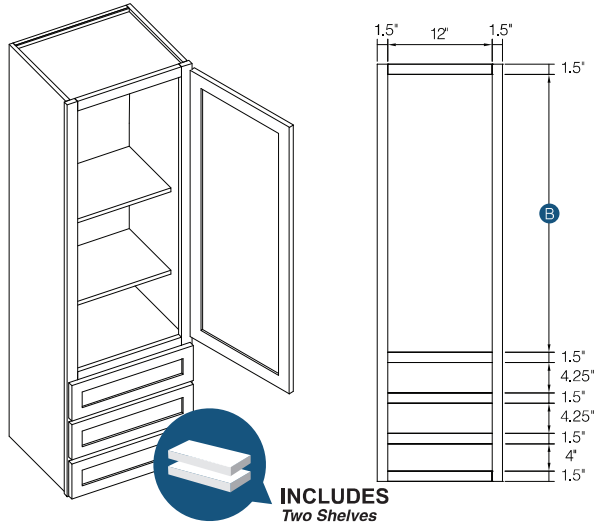


Item Code	Outer Dimensions			Opening Size		Door Size (x2)	
	W	H	D	A	B	W	H
W2442-2	24"	42"	12"	21"	39"	11.6875"	40.75"
W2742	27"	42"	12"	24"	39"	13.1875"	40.75"
W3042	30"	42"	12"	27"	39"	14.6875"	40.75"
W3342	33"	42"	12"	30"	39"	16.1875"	40.75"
W3642	36"	42"	12"	33"	39"	17.6875"	40.75"
W3942	39"	42"	12"	36"	39"	19.1875"	40.75"

Item Code	Outer Dimensions			Opening Size		Door Size (x2)	
	W	H	D	A	B	W	H
W4242	42"	42"	12"	18"	39"	20.5"	40.75"

PRODUCT SPECS WALL CABINETS

Wall Tower with 3 Drawers



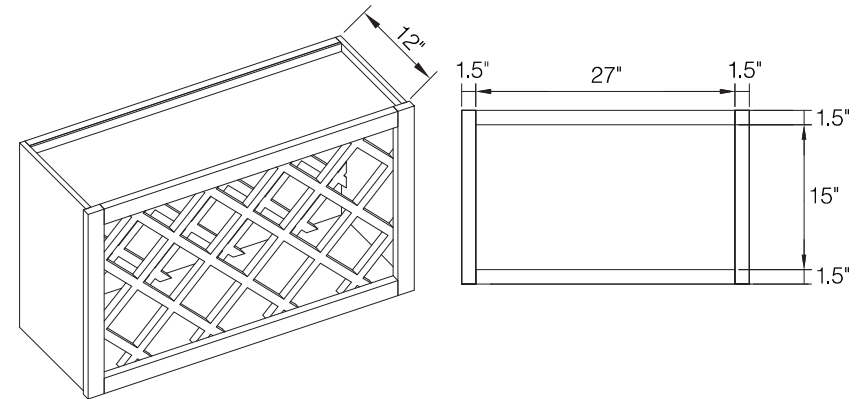
Item Code	Outer Dimensions			Door Opening		Door Size	
	W	H	D	W	B	W	H
DWR1548	15"	48"	15"	12"	28"	14.5"	28.75"
DWR1554	15"	54"	15"	12"	34"	14.5"	34.75"
DWR1560*	15"	60"	15"	12"	40"	14.5"	40.75"

Item Code	Top/Middle Opening		Top/Middle Drawer Front Size	
	W	H	W	H
DWR1548	12"	4.25"	14.5"	5.5"
DWR1554	12"	4.25"	14.5"	5.5"
DWR1560	12"	4.25"	14.5"	5.5"

Item Code	Bottom Opening		Bottom Drawer Front Size	
	W	H	W	H
DWR1548	12"	4"	14.5"	5.5"
DWR1554	12"	4"	14.5"	5.5"
DWR1560	12"	4"	14.5"	5.5"

*DWR1560 - Includes 3 shelves

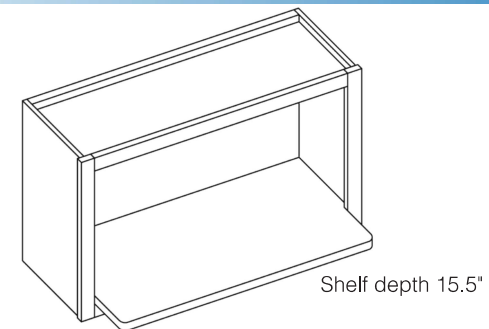
Wine Rack



Item Code	Outer Dimensions			Opening Size	
	W	H	D	W	H
WR3018	30"	18"	12"	27"	15"

Can be installed vertically or horizontally
Wine Rack holds 11 standard wine bottles

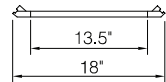
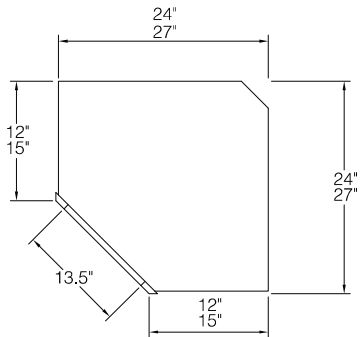
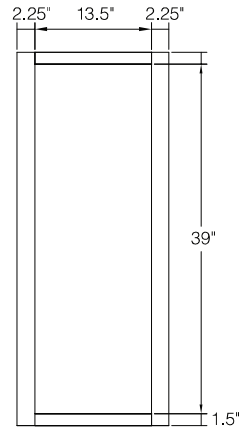
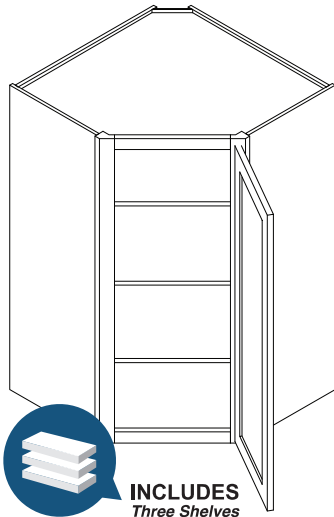
Microwave Wall Cabinet



Item Code	Outer Dimensions			Opening Size	
	W	H	D	W	H
MWC3018	30"	18"	12"	27"	14.25"

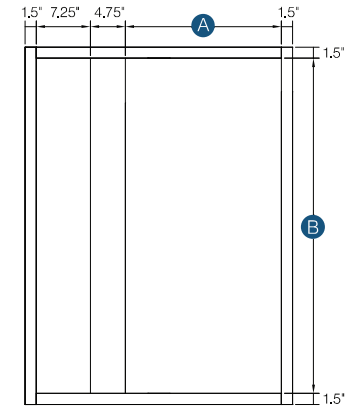
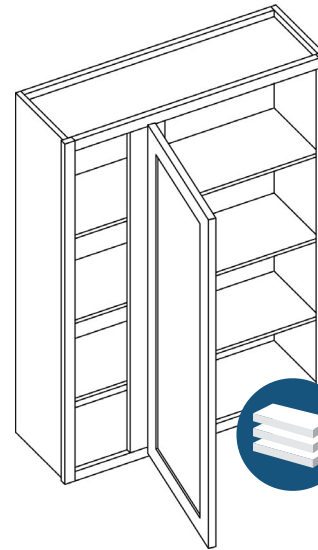
PRODUCT SPECS WALL CABINETS

42" High Corner Wall



Item Code	Outer Dimensions			Opening Size		Door Size	
	W	H	D	W	H	W	H
CW2442	24"	42"	12"	13.5"	39"	14.5"	40.75"
CW2742	27"	42"	15"	13.5"	39"	14.5"	40.75"

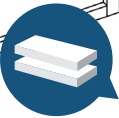
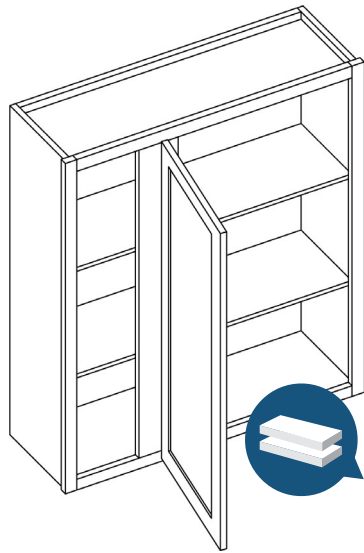
42" High Blind Wall



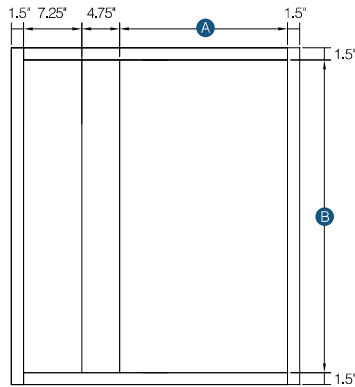
Item Code	Outer Dimensions			Opening Size		Door Size	
	W	H	D	A	B	W	H
BW3042	30"	42"	12"	15"	39"	17.5"	40.75"
BW3642	36"	42"	12"	21"	39"	23.5"	40.75"

PRODUCT SPECS WALL CABINETS

30" - 36" High Blind Wall



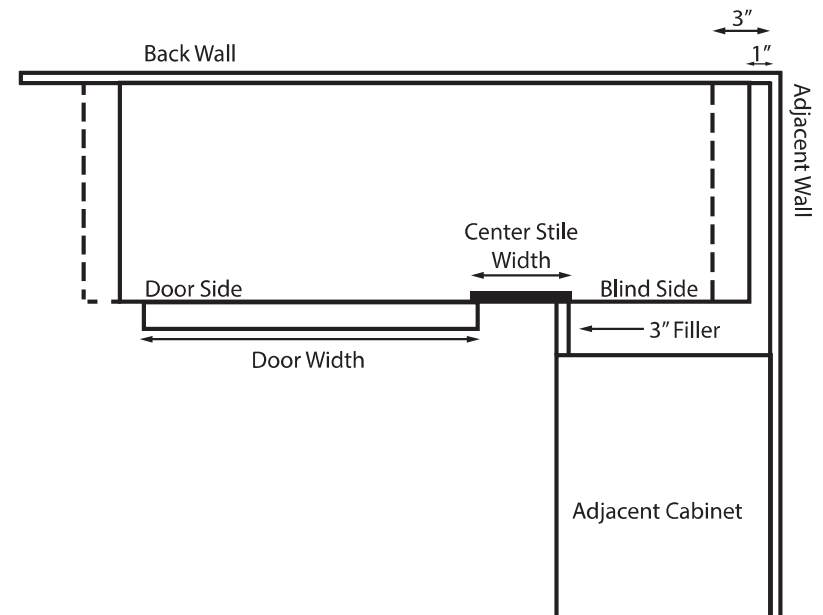
INCLUDES
Two Shelves



Item Code	Outer Dimensions			Opening Size		Door Size	
	W	H	D	A	B	W	H
BW2430	24"	30"	12"	9"	27"	11.5"	28.75"
BW3030	30"	30"	12"	15"	27"	17.5"	28.75"
BW3630	36"	30"	12"	21"	27"	23.5"	28.75"
BW2436	24"	36"	12"	9"	33"	11.5"	34.75"
BW3036	30"	36"	12"	15"	33"	17.5"	34.75"
BW3636	36"	36"	12"	21"	33"	23.5"	34.75"

Installing a Blind Cabinet

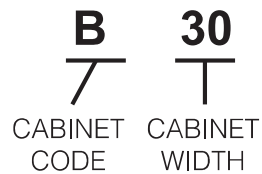
Proper installation ensures that the doors will open and show correct reveal



- Choose the blind side and assemble accordingly
- Place cabinet against the back wall and position the blind side 1"-3" away from the adjacent wall
- Place at least a 3" filler next to the adjacent cabinet
(filler is not included)

PRODUCT SPECS BASE CABINETS

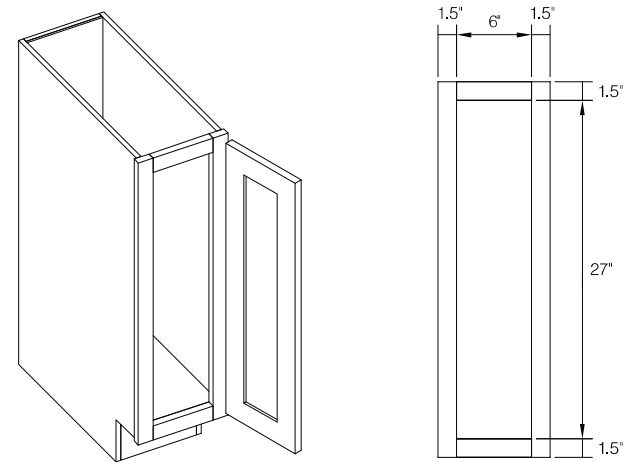
Base Cabinet Coding



Notes:

- Standard base cabinets are 24" deep and 34.5" high.
- Add door thickness for total cabinet depth.
- Please refer to the Products by Cabinet Line chart to determine which products are carried for each cabinet line.

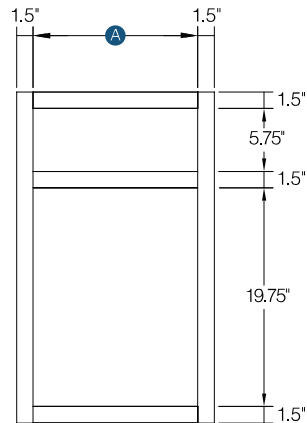
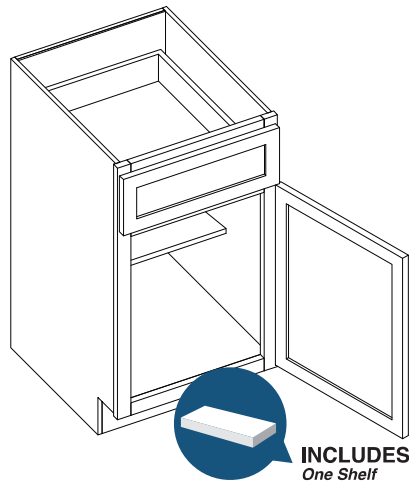
Single Door Full Height Base



Item Code	Outer Dimensions			Opening Size		Door Size	
	W	H	D	W	H	W	H
B09	9"	34.5"	24"	6"	27"	8.5"	28.75"

PRODUCT SPECS BASE CABINETS

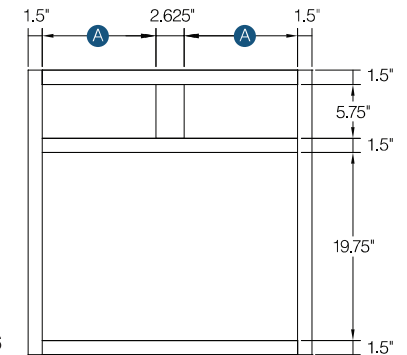
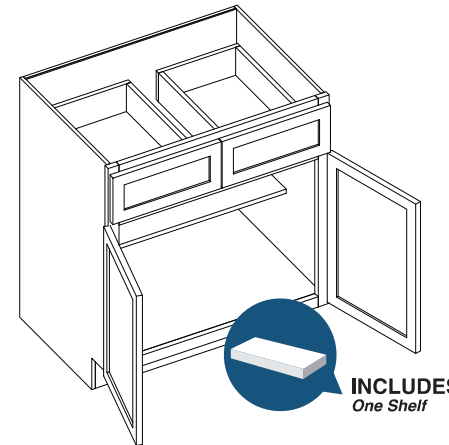
Single Door Standard Base



Item Code	Outer Dimensions			Drawer Opening		Door Opening	
	W	H	D	A	H	A	H
B12	12"	34.5"	24"	9"	5.75"	9"	19.75"
B15	15"	34.5"	24"	12"	5.75"	12"	19.75"
B18	18"	34.5"	24"	15"	5.75"	15"	19.75"
B21	21"	34.5"	24"	18"	5.75"	18"	19.75"

Item Code	Drawer Front Size		Door Size	
	W	H	W	H
B12	11.5"	6.75"	11.5"	21.5"
B15	14.5"	6.75"	14.5"	21.5"
B18	17.5"	6.75"	17.5"	21.5"
B21	20.5"	6.75"	20.5"	21.5"

Double Door Standard Base



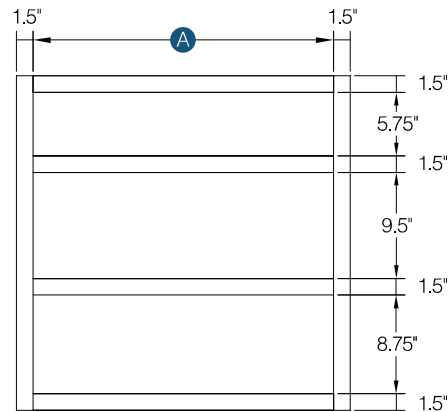
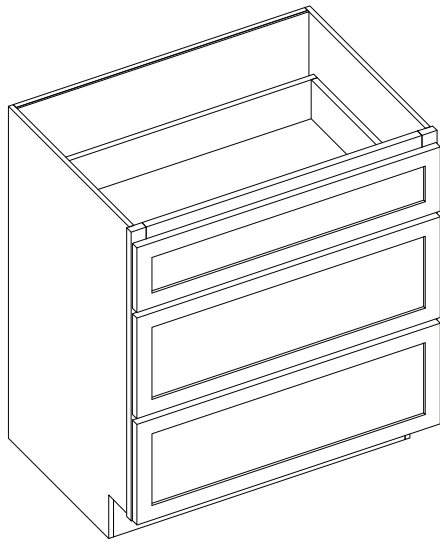
Item Code	Outer Dimensions			Drawer Opening (x2)		Door Opening	
	W	H	D	A	H	A	H
B24-2*	24"	34.5"	24"	21"	5.75"	21"	19.75"
B27	27"	34.5"	24"	10.6875"	5.75"	24"	19.75"
B30	30"	34.5"	24"	12.1875"	5.75"	27"	19.75"
B33	33"	34.5"	24"	13.6875"	5.75"	30"	19.75"
B36	36"	34.5"	24"	15.1875"	5.75"	33"	19.75"
B39	39"	34.5"	24"	16.6875"	5.75"	36"	19.75"

Item Code	Drawer Front Size (x2)		Door Size (x2)	
	W	H	W	H
B24-2*	23.5"	6.75"	11.6875"	21.5"
B27	13.1875"	6.75"	13.1875"	21.5"
B30	14.6875"	6.75"	14.6875"	21.5"
B33	16.1875"	6.75"	16.1875"	21.5"
B36	17.6875"	6.75"	17.6875"	21.5"
B39	19.1875"	6.75"	19.1875"	21.5"

*Napa White has a single drawer front on all sizes

PRODUCT SPECS BASE CABINETS

Drawer Base



Item Code	Outer Dimensions			Top Opening		Top Drawer Front Size	
	W	H	D	A	H	A	H
DB12-3	12"	34.5"	24"	9"	5.75"	11.5"	6.75"
DB15-3	15"	34.5"	24"	12"	5.75"	14.5"	6.75"
DB18-3	18"	34.5"	24"	15"	5.75"	17.5"	6.75"
DB24-3	24"	34.5"	24"	21"	5.75"	23.5"	6.75"
DB27-3*	27"	34.5"	24"	24"	5.75"	26.5"	6.75"
DB30-3	30"	34.5"	24"	27"	5.75"	29.5"	6.75"
DB33-3*	33"	34.5"	24"	30"	5.75"	32.5"	6.75"
DB36-3	36"	34.5"	24"	33"	5.75"	35.5"	6.75"

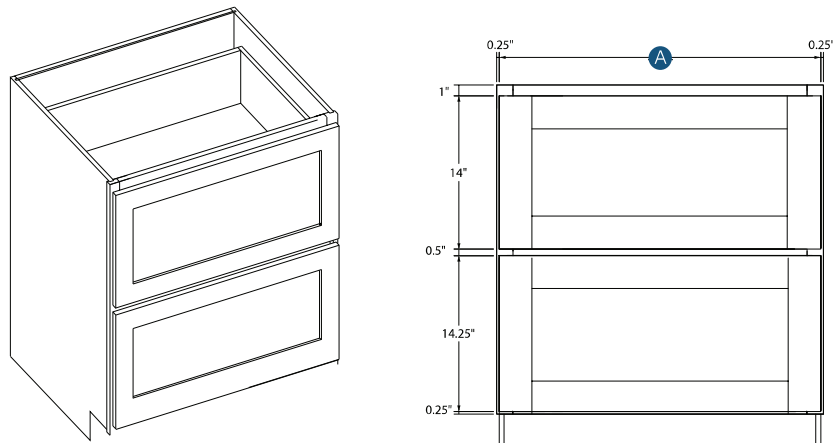
Item Code	Middle Opening		Middle Drawer Front Size	
	A	H	A	H
DB12-3	9"	9.5"	11.5"	10.5"
DB15-3	12"	9.5"	14.5"	10.5"
DB18-3	15"	9.5"	17.5"	10.5"
DB24-3	21"	9.5"	23.5"	10.5"
DB27-3	24"	9.5"	26.5"	10.5"
DB30-3	27"	9.5"	29.5"	10.5"
DB33-3	30"	9.5"	32.5"	10.5"
DB36-3	33"	9.5"	35.5"	10.5"

Item Code	Bottom Opening		Bottom Drawer Front Size	
	A	H	A	H
DB12-3	9"	8.75"	11.5"	10.5"
DB15-3	12"	8.75"	14.5"	10.5"
DB18-3	15"	8.75"	17.5"	10.5"
DB24-3	21"	8.75"	23.5"	10.5"
DB27-3	24"	8.75"	26.5"	10.5"
DB30-3	27"	8.75"	29.5"	10.5"
DB33-3	30"	8.75"	32.5"	10.5"
DB36-3	33"	8.75"	35.5"	10.5"

*Only available in Shaker & Brooklyn

PRODUCT SPECS BASE CABINETS

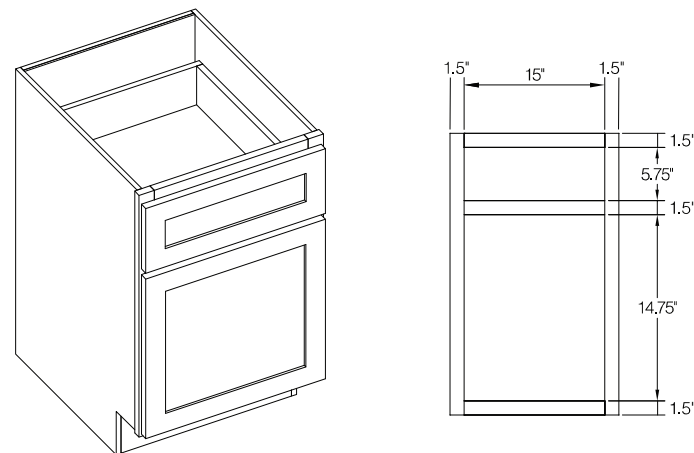
Two Drawer Base



Item Code	Outer Dimensions			Drawer Opening		Door Opening	
	W	H	D	A	H	A	H
DB30-2	30"	34.5"	24"	27"	13"	29.5"	14"
DB36-2	36"	34.5"	24"	27"	13"	29.5"	14"

Item Code	Outer Dimensions		Bottom Drawer Front Size	
	W	H	W	H
DB30-2	27"	12.5"	29.5"	14.25"
DB36-2	27"	12.5"	29.5"	14.25"

Desk Drawer Base

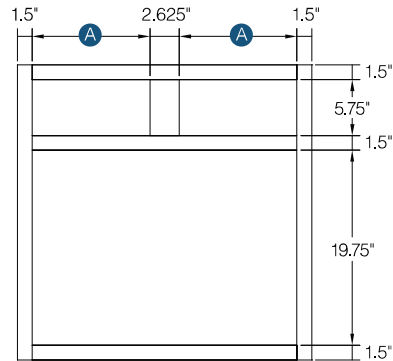
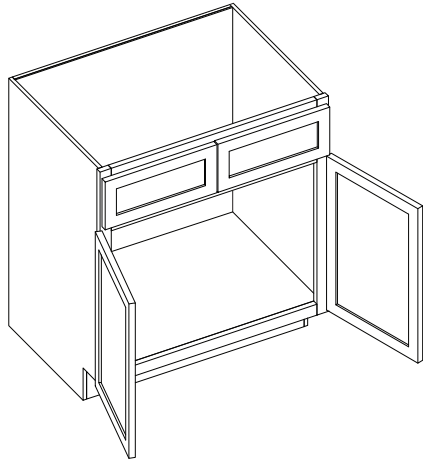


Item Code	Outer Dimensions			Top Opening		Top Drawer Front Size	
	W	H	D	W	H	W	H
DDB18	18"	29.5"	24"	15"	5.75"	17.5"	6.75"

Item Code	Outer Dimensions		Bottom Drawer Front Size	
	W	H	W	H
DDB18	15"	14.75"	17.5"	16.75"

PRODUCT SPECS BASE CABINETS

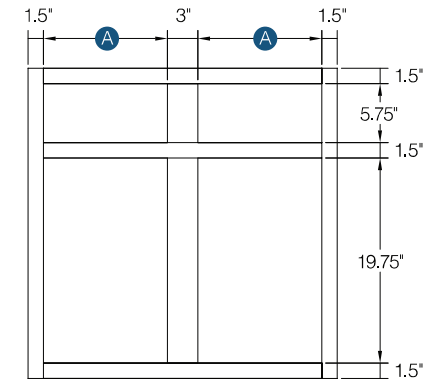
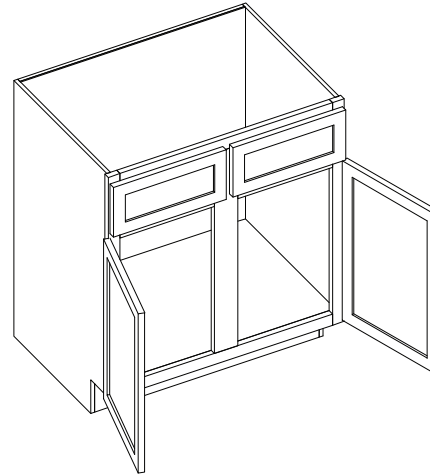
Sink Base



Item Code	Outer Dimensions			False Drawer Opening (x2)		Door Opening	
	W	H	D	A	H	W	H
SB30	30"	34.5"	24"	12.1875"	5.75"	27"	19.75"
SB33	33"	34.5"	24"	13.6875"	5.75"	30"	19.75"
SB36	36"	34.5"	24"	15.1875"	5.75"	33"	19.75"

Item Code	False Drawer Front Size (x2)		Door Size (x2)	
	W	H	W	H
SB30	14.6875"	6.75"	14.6875"	21.5"
SB33	16.1875"	6.75"	16.1875"	21.5"
SB36	17.6875"	6.75"	17.6875"	21.5"

Sink Base with Center Stile

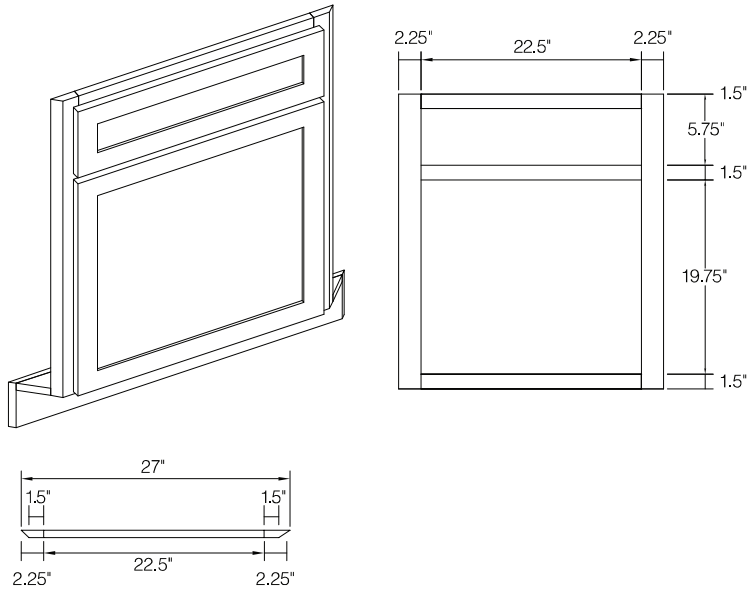


Item Code	Outer Dimensions			False Drawer Opening (x2)		Door Opening	
	W	H	D	A	H	W	H
SB42	42"	34.5"	24"	18"	5.75"	39"	19.75"
SB48	48"	34.5"	24"	21"	5.75"	45"	19.75"

Item Code	False Drawer Front Size (x2)		Door Size (x2)	
	W	H	W	H
SB42	20.5"	6.75"	20.5"	21.5"
SB48	23.5"	6.75"	23.5"	21.5"

PRODUCT SPECS BASE CABINETS

Corner Sink Front



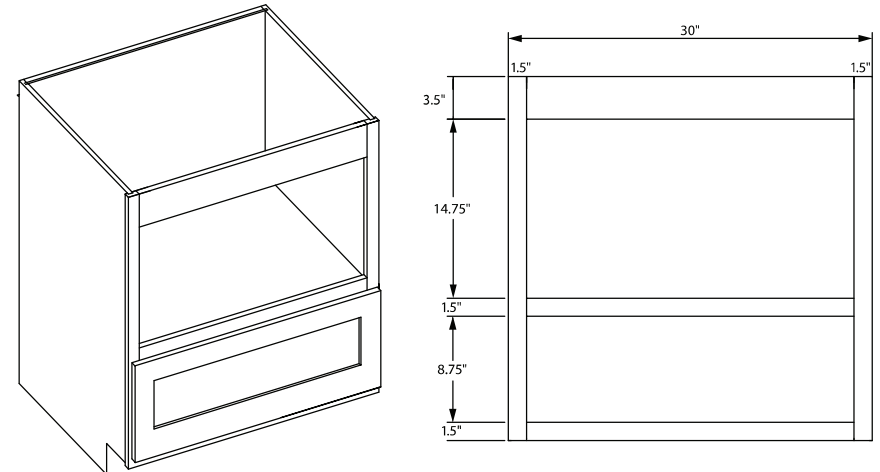
Item Code	Outer Dimensions			Door Opening		Door Size	
	W	H	D	W	H	W	H
CSF42	27"	34.5"	2"	22.5"	19.75"	23.5"	21.5"

Item Code	Drawer Opening		Drawer Front Size	
	W	H	W	H
CSF42	22.5"	5.75"	23.5"	6.75"

Back of face frame measures 27" wide
Hinges sold separately

Sink floor sold separately - YN-CSF-FLOOR

Microwave Base Cabinet

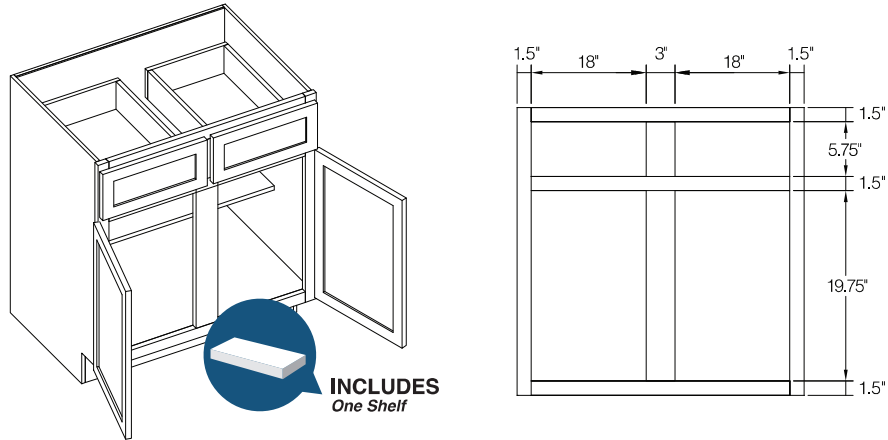


Item Code	Outer Dimensions			Top Opening		Bottom Opening		Drawer Size	
	W	H	D	W	H	W	H	W	H
MBC30	30"	34.5"	24"	27"	14.75"	27"	8.75"	29.5"	10.5"

Comes with finished interior

PRODUCT SPECS BASE CABINETS

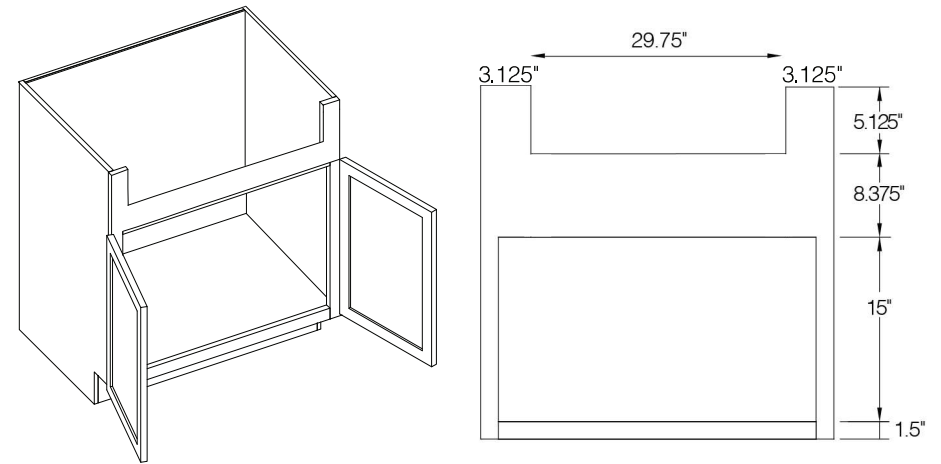
Double Door Standard Base with Center Stile



Item Code	Outer Dimensions			Drawer Opening (x2)		Door Opening (x2)	
	W	H	D	W	H	W	H
B42	42"	34.5"	24"	18"	5.75"	18"	19.75"

Item Code	Drawer Front Size (x2)		Door Size (x2)	
	W	H	W	H
B42	20.5"	6.75"	20.5"	21.5"

36" Farm House Sink Base

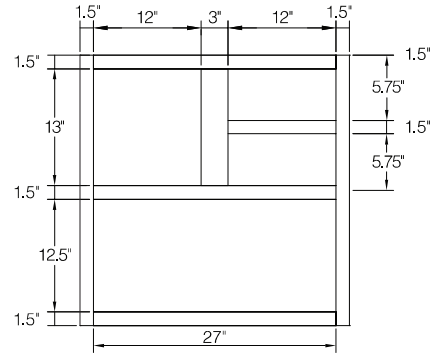
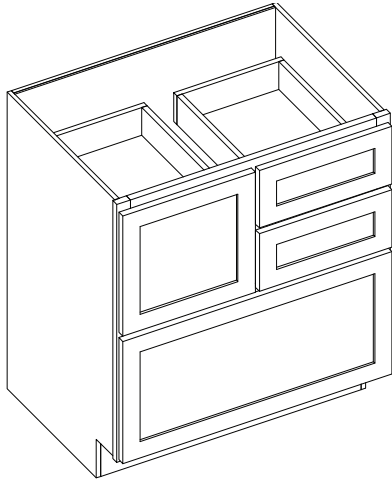


Item Code	Outer Dimensions			Door Opening	
	W	H	D	W	H
FSB36	36"	34.5"	24"	33"	15"

Item Code	Door Size (x2)	
	W	H
FSB36	17.687"	17"

PRODUCT SPECS BASE CABINETS

Cooking Center

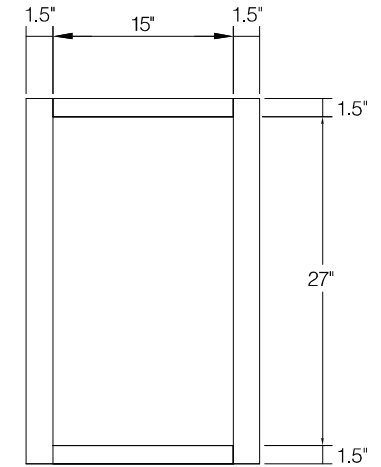
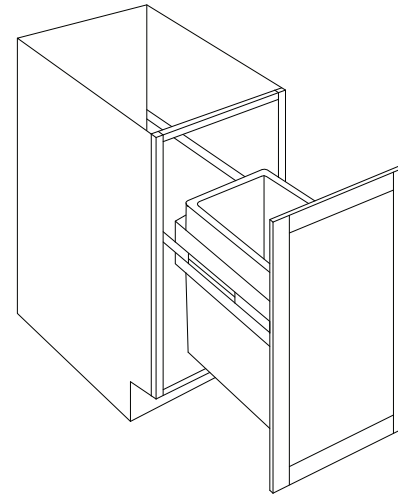


Item Code	Outer Dimensions			Top Opening		Top Drawer Front Size	
	W	H	D	W	H	W	H
CC30	30"	34.5"	24"	12"	5.75"	14.5"	6.75"

Item Code	Left Drawer Opening		Left Drawer Front Size	
	W	H	W	H
CC30	12"	13"	14.5"	14"

Item Code	Bottom Drawer Opening		Bottom Drawer Front Size	
	W	H	W	H
CC30	27"	12.5"	29.5"	14.25"

Trash Can Base (Full Height Door)



Item Code	Outer Dimensions			Opening Size		Door Size	
	W	H	D	W	H	W	H
TRB-1*	18"	34.5"	24"	15"	27"	17.5"	28.75"
TRB-2**	18"	34.5"	24"	15"	27"	17.5"	28.75"

TRB-1 shown

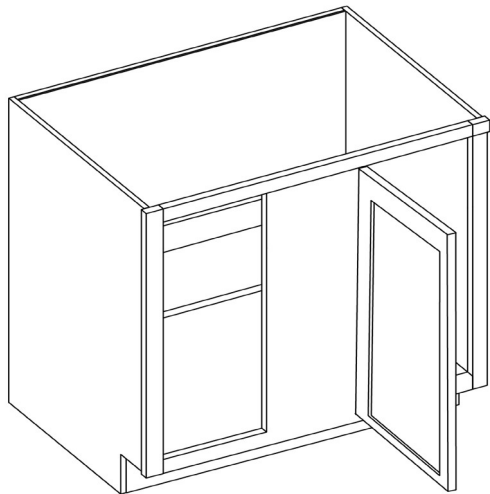
* TRB-1 includes one 50 QT can

** TRB-2 includes two 35 QT cans

Trash Cam Insert (TCCK) for B18 also available on page 49

PRODUCT SPECS BASE CABINETS

36" Blind Base

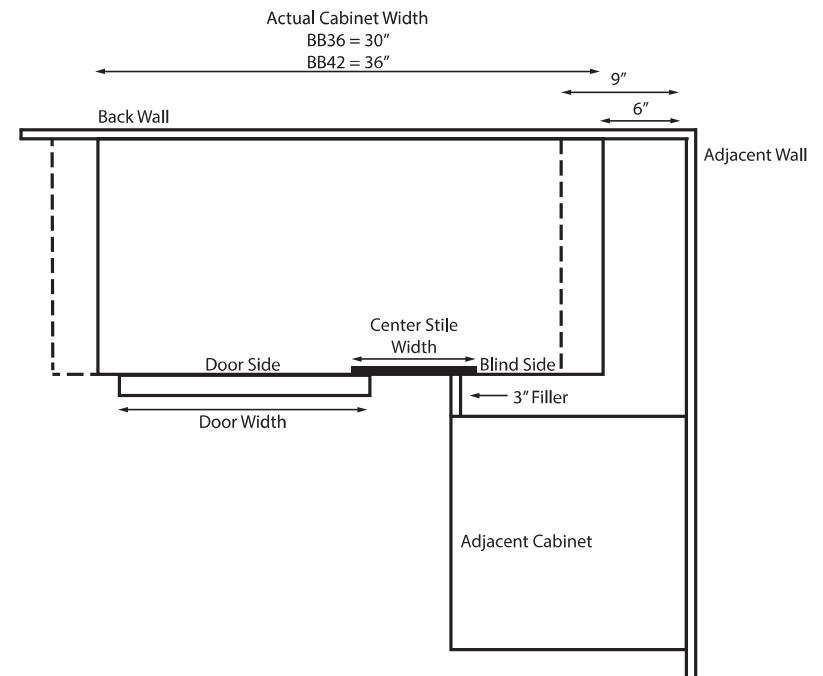


Item Code	Outer Dimensions			Door Opening		Door Size	
	W	H	D	W	H	W	H
BB36	30"	34.5"	24"	9"	27"	11.5"	28.75"

Image shown with a hinge left

Installing a 36" - 42" Blind Base

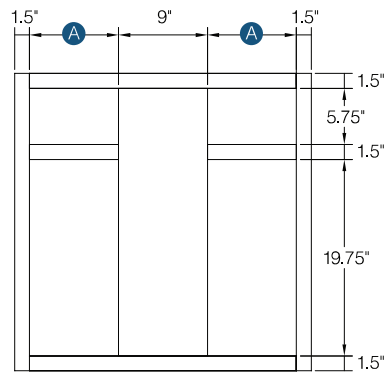
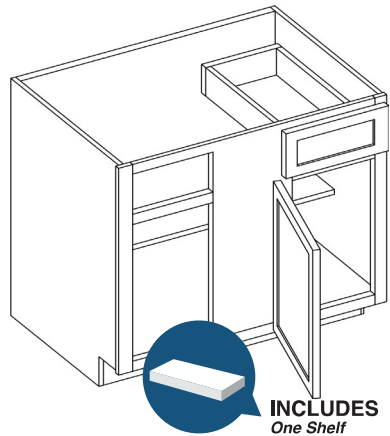
Proper installation ensures that the drawer will clear hardware, and doors will open, and show correct reveal



- Choose the blind side and assemble accordingly
- Place the cabinet back against the back wall
 - BB36 and BB42 – position the blind side 6"-9" away from the adjacent wall
- Place at least a 3" filler next to the adjacent cabinet
(filler is not included)

PRODUCT SPECS BASE CABINETS

42" - 48" Blind Base



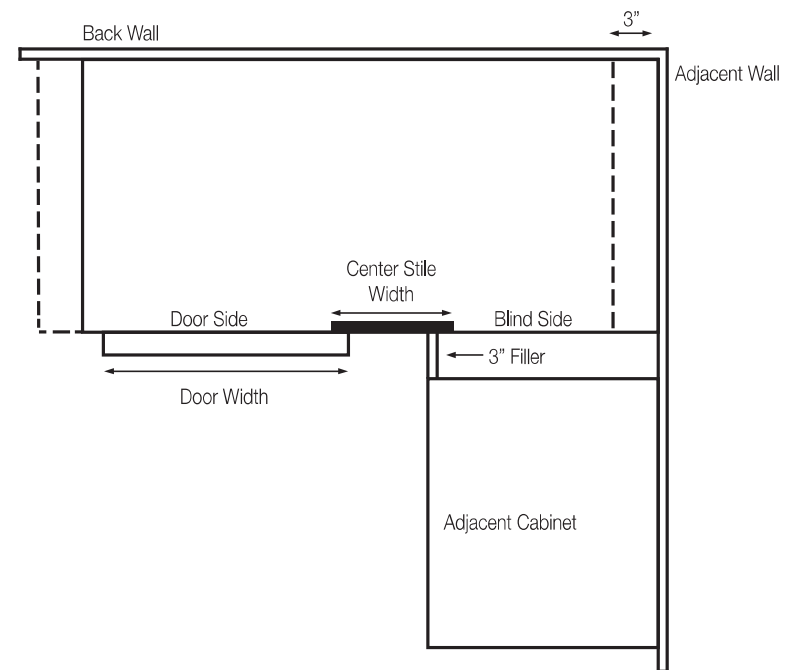
Item Code	Outer Dimensions			Drawer Opening		Door Opening	
	W	H	D	A	H	A	H
BB42	36"	34.5"	24"	12"	5.75"	12"	19.75"
BB48	48"	34.5"	24"	18"	5.75"	18"	19.75"

Item Code	Drawer Front Size		Door Size	
	W	H	W	H
BB42	14.5"	6.75"	14.5"	21.5"
BB48	20.5"	6.75"	20.5"	21.5"

Image shown with a hinge left

Installing a 48" Blind Base

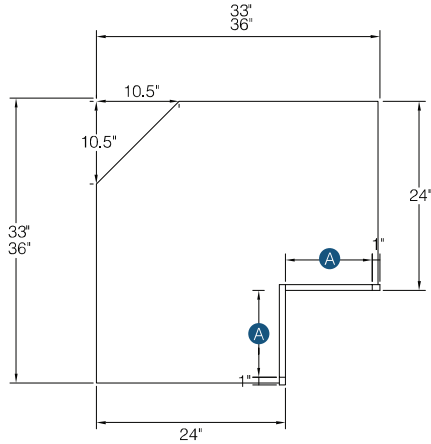
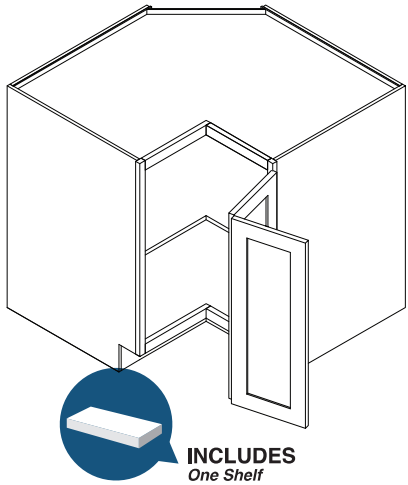
Proper installation ensures that the drawer will clear hardware, and doors will open, and show correct reveal



- Choose the blind side and assemble accordingly
- Place the cabinet back against the back wall
 - BB48 – position the blind side 0"-3" away from the adjacent wall
- Place at least a 3" filler next to the adjacent cabinet
(filler is not included)

PRODUCT SPECS BASE CABINETS

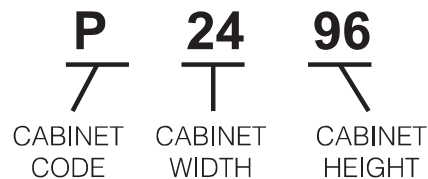
Easy Reach



Item Code	Outer Dimensions			Door Opening		Door Size	
	W	H	D	A	H	A	H
ER33	33"	34.5"	24"	8.75"	27"	7.75"	28.75"
ER36	36"	34.5"	24"	11.75"	27"	10.875"	28.75"

PRODUCT SPECS TALL CABINETS

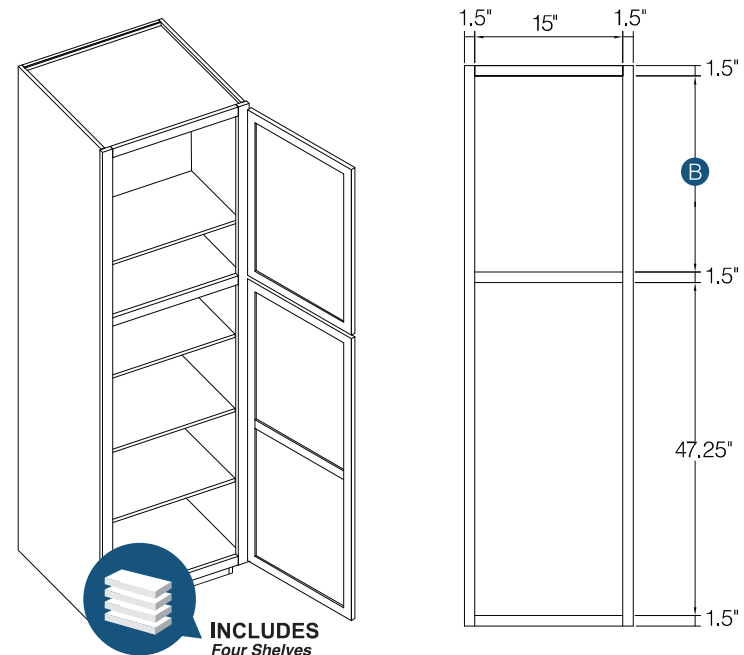
Tall Cabinet Coding



Notes:

- Standard tall cabinets are 24" deep.
- Add door thickness for total cabinet depth.
- Please refer to the Products by Cabinet Line chart to determine which products are carried for each cabinet line.

Single Door Pantry



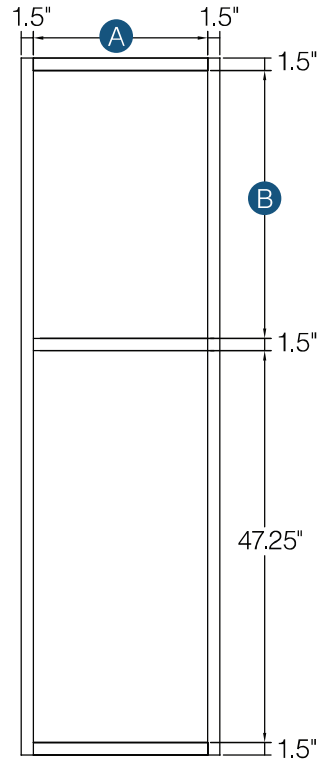
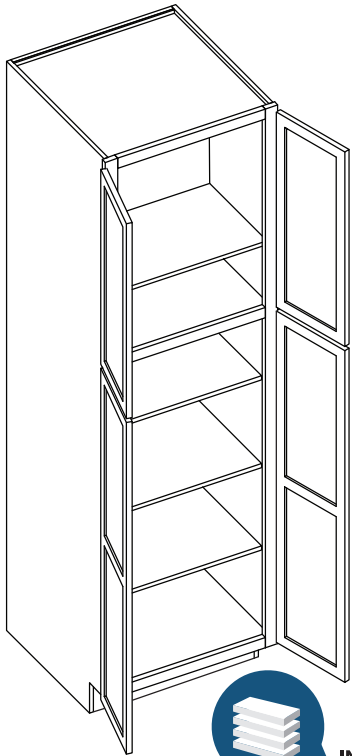
Item Code	Outer Dimensions			Top Opening		Top Door Size	
	W	H	D	W	B	W	H
P1884	18"	84"	24"	15"	27.75"	17.5"	28.75"
P1890	18"	90"	24"	15"	33.75"	17.5"	34.75"
P1896*	18"	96"	24"	15"	39.75"	17.5"	40.75"

Item Code	Bottom Opening		Bottom Door Size	
	W	H	W	H
P1884	15"	47.25"	17.5"	49"
P1890	15"	47.25"	17.5"	49"
P1896*	15"	47.25"	17.5"	49"

* P1896 - Includes 5 shelves

PRODUCT SPECS TALL CABINETS

Double Door Pantry



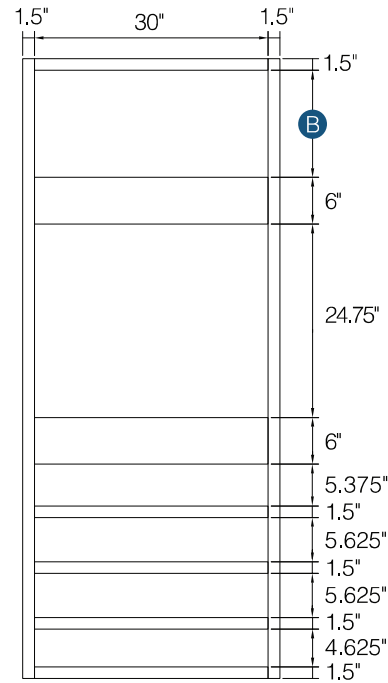
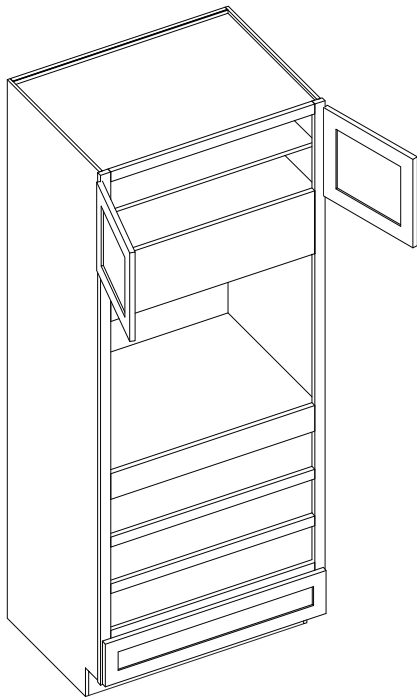
Item Code	Outer Dimensions			Top Opening		Top Door Size	
	W	H	D	A	B	W	H
P2484	24"	84"	24"	21"	27.75"	11.6875"	28.75"
P2490	24"	90"	24"	21"	33.75"	11.6875"	34.75"
P2496*	24"	96"	24"	21"	39.75"	11.6875"	40.75"
P3090	30"	90"	24"	27"	33.75"	17.6875"	34.75"
P3096*	30"	96"	24"	27"	39.75"	17.6875"	40.75"

Item Code	Bottom Opening		Bottom Door Size	
	W	H	W	H
P2484	21"	47.25"	11.6875"	49"
P2490	21"	47.25"	11.6875"	49"
P2496*	21"	47.25"	11.6875"	49"
P3090	27"	47.25"	17.6875"	49"
P3096*	27"	47.25"	17.6875"	49"

*Includes 5 shelves

PRODUCT SPECS TALL CABINETS

Oven Cabinet



Item Code	Outer Dimensions		
	W	H	D
OC3390*	33"	90"	24"
OC3396**	33"	96"	24"

Item Code	Door Opening		Door Size	
	W	B	W	H
OC3390*	30"	19.75"	16.1875"	21.5"
OC3396**	30"	25.75"	16.1875"	27.5"

Item Code	Top Drawer Opening		Top Drawer Front Size	
	W	H	W	H
OC3390*	30"	5.375"	32.5"	6.75"
OC3396**	30"	5.375"	32.5"	6.75"

Item Code	Middle Drawer Opening		Middle Drawer Front Size	
	W	H	W	H
OC3390*	30"	5.375"	32.5"	6.75"
OC3396**	30"	5.375"	32.5"	6.75"

Item Code	Bottom Drawer Opening		Bottom Drawer Front Size	
	W	H	W	H
OC3390*	30"	4.375"	32.5"	6.75"
OC3396**	30"	4.375"	32.5"	6.75"

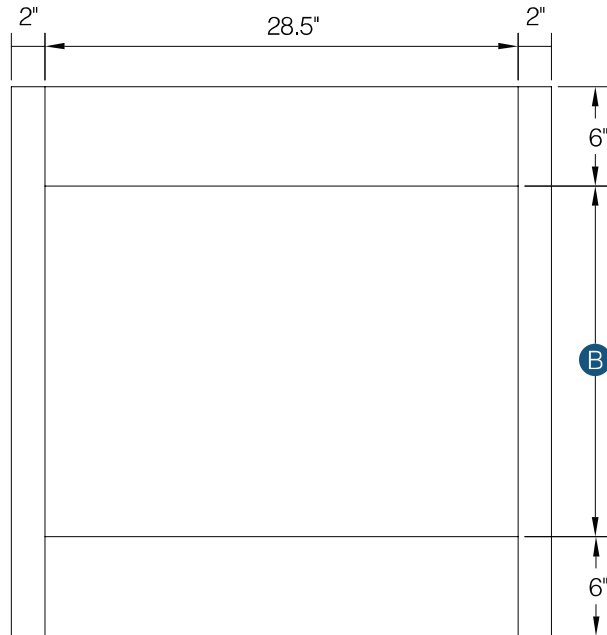
Oven Cabinets have one drawer included (OCD337)

* OC3390 - Includes 1 shelf

** OC3396 - Includes 2 shelves

PRODUCT SPECS TALL CABINETS

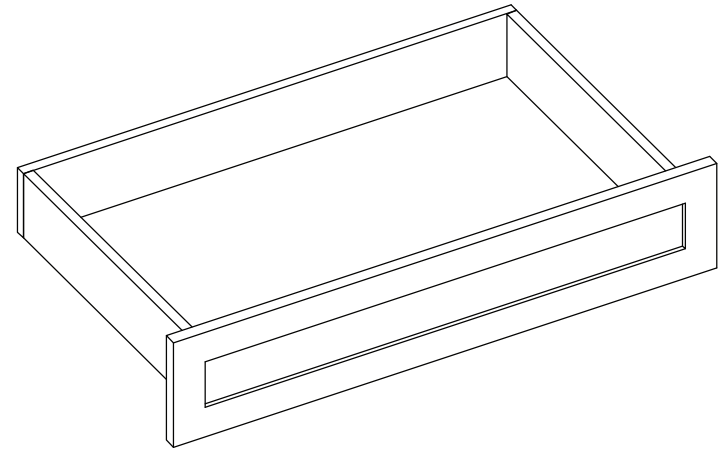
Oven Cabinet Overlay Panel



Item Code	Outer Dimensions			Opening Size	
	W	H	D	W	B
OP3353	33	55	0.75	28.5"	43"

Overlay shipped loose for field installation on oven cabinet, trim overlay as needed to fit oven door profile and attach to the cabinet frame

Oven Cabinet Drawer

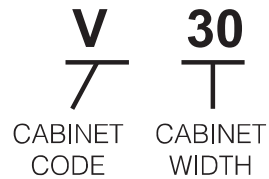


Item Code	Drawer Size	
	W	H
OCD337	32.5"	6.75"

One drawer included with Oven Cabinet

PRODUCT SPECS VANITY CABINETS

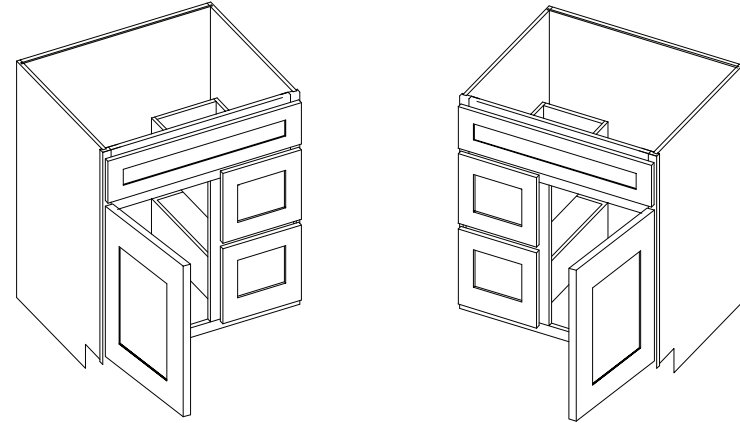
Vanity Cabinet Coding



Notes:

- Standard vanity cabinets are 21" deep.
- Add door thickness for total cabinet depth.
- Please refer to the Products by Cabinet Line chart to determine which products are carried for each cabinet line.
- Napa White has a single drawer on all sizes.

Vanity Combo Cabinet 30"



Item Code	Outer Dimensions			False Drawer Opening		Door Opening	
	W	H	D	W	H	W	H
VSBDR30	30"	34.5"	21"	11.5"	5.75"	15"	19.75"
VSBDL30	30"	34.5"	21"	11.5"	5.75"	15"	19.75"

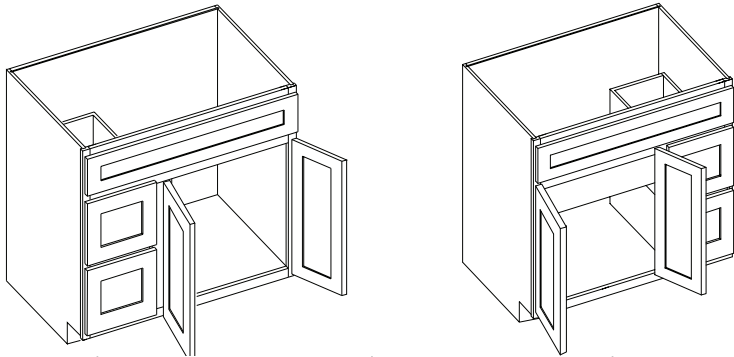
Item Code	False Drawer Front Size		Door Size (x2)	
	W	H	W	H
VSBDR30 / VSBDL30	29.5"	6.75"	17.5"	21.5"

Item Code	Top Drawer Opening		Bottom Drawer Opening	
	W	H	W	H
VSBDR30 / VSBDL30	9"	9.5"	9"	8.75"

Item Code	Side Drawer Size (x2)	
	W	H
VSBDR30 / VSBDL30	11.5"	10.5"

PRODUCT SPECS VANITY CABINETS

Vanity Combo Cabinet 36"



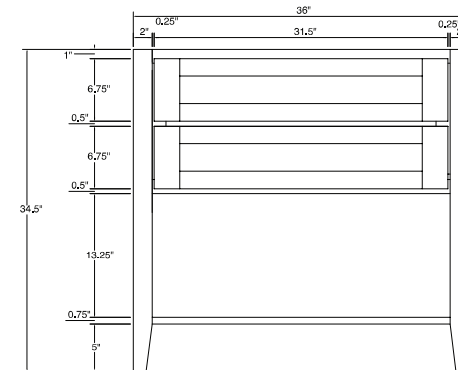
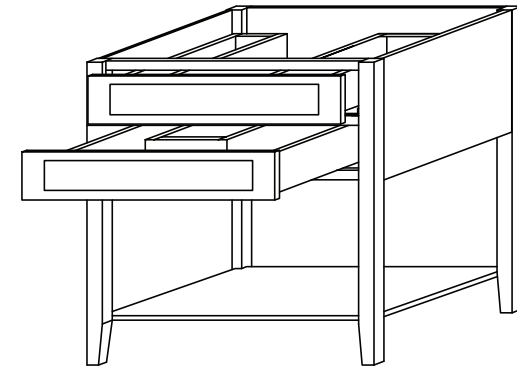
Item Code	Outer Dimensions			False Drawer Opening		Door Opening	
	W	H	D	W	H	W	H
VSBDR36	36"	34.5"	21"	33"	5.75"	20"	19.75"
VSBDL36	36"	34.5"	21"	33"	5.75"	20"	19.75"

Item Code	False Drawer Front Size		Door Size (x2)	
	W	H	W	H
VSBDR36 / VSBDL36	35.5"	6.75"	11.6875"	21.5"

Item Code	Top Drawer Opening		Bottom Drawer Opening	
	W	H	W	H
VSBDR36 / VSBDL36	9"	9.5"	9"	8.75"

Item Code	Side Drawer Size (x2)	
	W	H
VSBDR36 / VSBDL36	11.5"	10.5"

36" Open Shelf Vanity Sink Base

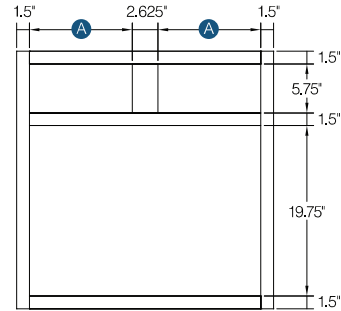
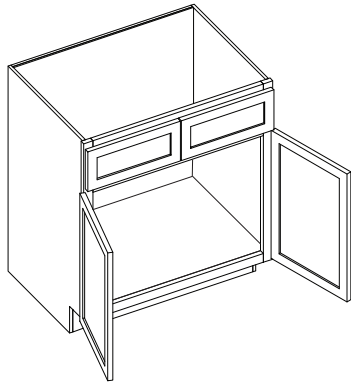


Item Code	Outer Dimensions			Top Opening		Top Drawer Size	
	W	H	D	W	B	W	H
VSBOS36	36"	34.5"	21"	29"	5.75"	31.5"	6.75"

Both drawers U-shaped to accommodate plumbing
Includes adjustable chrome feet
Sides and back 3/4" plywood construction

PRODUCT SPECS VANITY CABINETS

Double Door Vanity



Item Code	Outer Dimensions			False Drawer Opening (x2)		Door Opening	
	W	H	D	A	H	W	H
V24-2*	24"	34.5"	21"	21"	5.75"	21"	19.75"
V27	27"	34.5"	21"	10.6875"	5.75"	24"	19.75"
V30	30"	34.5"	21"	12.1875"	5.75"	27"	19.75"
V33	33"	34.5"	21"	13.6875"	5.75"	30"	19.75"
V36	36"	34.5"	21"	15.1875"	5.75"	33"	19.75"

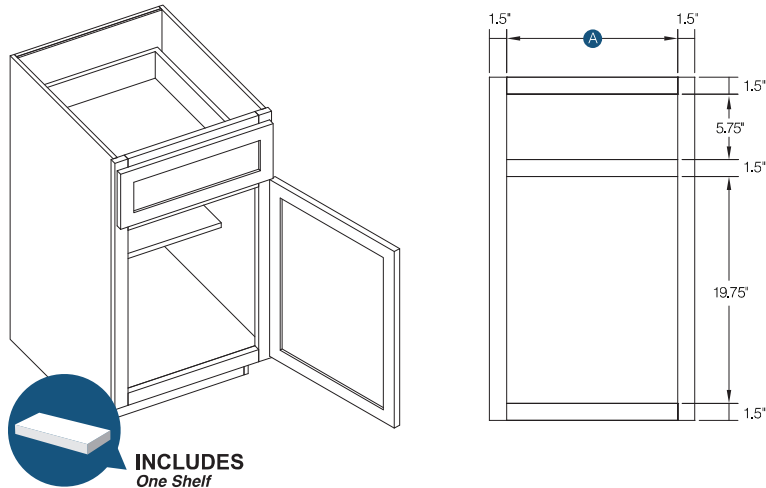
Item Code	False Drawer Front Size (x2)		Door Size (x2)	
	W	H	W	H
V24-2*	23.5"	6.75"	11.6875"	21.5"
V27	13.1875"	6.75"	13.1875"	21.5"
V30	14.6875"	6.75"	14.6875"	21.5"
V33	16.1875"	6.75"	16.1875"	21.5"
V36	17.6875"	6.75"	17.6875"	21.5"

*V24-2 has one false drawer and two doors. Drawer measurements provided are for single drawer.

Note: Napa White has a single drawer front on all sizes.

PRODUCT SPECS VANITY CABINETS

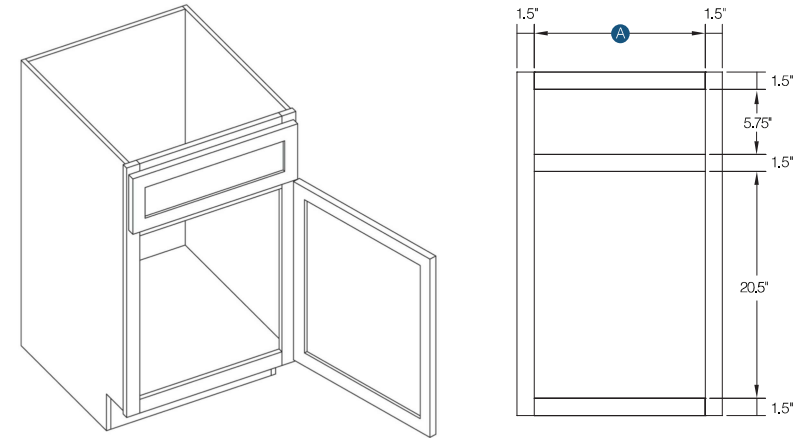
Single Door Vanity Base



Item Code	Outer Dimensions			Drawer Opening		Door Opening	
	W	H	D	A	H	A	H
VB12	12"	34.5"	21"	9"	5.75"	9"	19.75"
VB15	15"	34.5"	21"	12"	5.75"	12"	19.75"
VB18	18"	34.5"	21"	15"	5.75"	15"	19.75"

Item Code	Drawer Front Size		Door Size	
	W	H	W	H
VB12	11.5"	6.75"	11.5"	21.5"
VB15	14.5"	6.75"	14.5"	21.5"
VB18	17.5"	6.75"	17.5"	21.5"

Single Door Vanity Cabinet

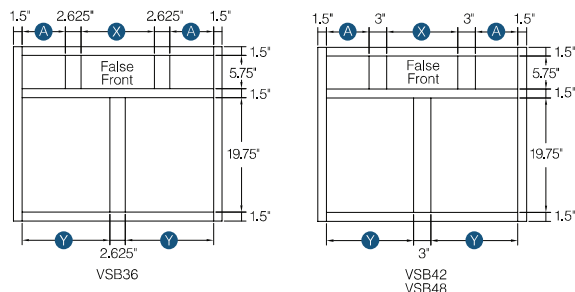
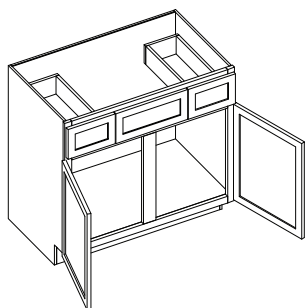


Item Code	Outer Dimensions			False Drawer Opening (x2)		Door Opening	
	W	H	D	A	H	W	H
V21	21"	34.5"	21"	18"	5.75"	18"	19.75"

Item Code	False Drawer Front Size (x2)		Door Size (x2)	
	A	H	W	H
V21	20.5"	6.75"	20.5"	21.5"

PRODUCT SPECS VANITY CABINETS

Vanity Sink Base

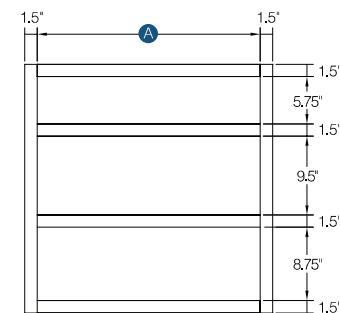
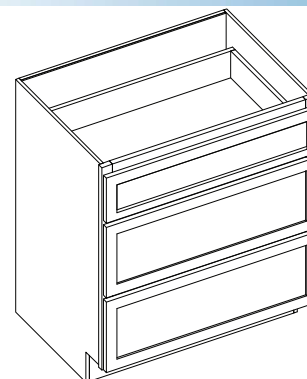


Item Code	Outer Dimensions		
	W	H	D
VSB36	36"	34.5"	21"
VSB42	42"	34.5"	21"
VSB48	48"	34.5"	21"

Item Code	Drawer Opening (x2)		False Drawer Opening		Door Opening (x2)	
	A	H	X	H	Y	H
VSB36	7.5"	5.75"	12.75"	5.75"	15.1875"	19.75"
VSB42	9.25"	5.75"	14.5"	5.75"	18"	19.75"
VSB48	9.25"	5.75"	20.5"	5.75"	21"	19.75"

Item Code	Drawer Front Size		False Drawer Front Size		Door Size	
	W	H	W	H	W	H
VSB36	10"	6.75"	15.25"	6.75"	17.6875"	21.5"
VSB42	11.75"	6.75"	17"	6.75"	20.5"	21.5"
VSB48	11.75"	6.75"	23"	6.75"	23.5"	21.5"

Vanity Drawer Base



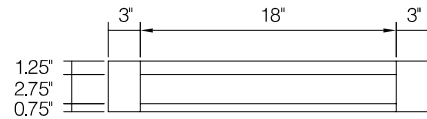
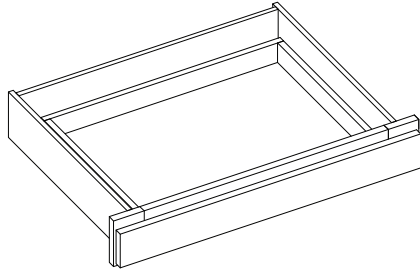
Item Code	Outer Dimensions			Top Opening		Top Drawer Front Size	
	W	H	D	A	H	W	H
VDB12	12"	34.5"	21"	9"	4.875"	11.5"	5.875"
VDB15	15"	34.5"	21"	12"	4.875"	14.5"	5.875"
VDB18	18"	34.5"	21"	15"	4.875"	17.5"	5.875"
VDB24	24"	34.5"	21"	21"	4.875"	23.5"	5.875"

Item Code	Middle Opening		Middle Drawer Front Size	
	A	H	W	H
VDB12	9"	9.875"	11.5"	10.8125"
VDB15	12"	9.875"	14.5"	10.8125"
VDB18	15"	9.875"	17.5"	10.8125"
VDB24	21"	9.875"	23.5"	10.8125"

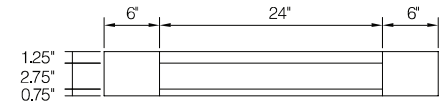
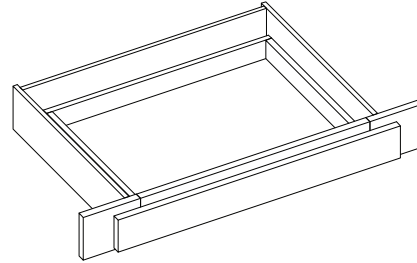
Item Code	Bottom Opening		Bottom Drawer Front Size	
	A	H	W	H
VDB12	9"	9.125"	11.5"	10.825"
VDB15	12"	9.125"	14.5"	10.825"
VDB18	15"	9.125"	17.5"	10.825"
VDB24	21"	9.125"	23.5"	10.825"

PRODUCT SPECS VANITY CABINETS

Vanity Drawer 24"



Vanity Drawer 36"



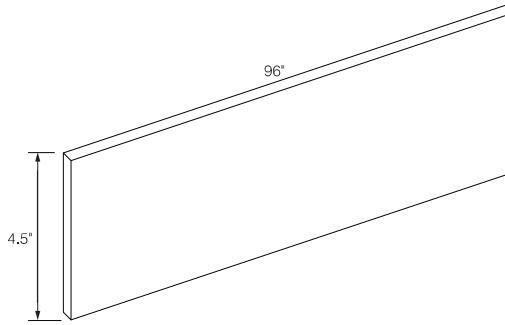
Item Code	Outer Dimensions			Opening Size		Drawer Size	
	W	H	D	W	B	W	H
KD24	24"	4.75"	21"	18"	2.75"	23.5"	3.5"

Item Code	Outer Dimensions			Opening Size		Drawer Size	
	W	H	D	W	B	W	H
KD36	36"	4.75"	21"	24"	2.75"	29.5"	3.5"

Wings on KD36 can be trimmed down to fit a 30" opening

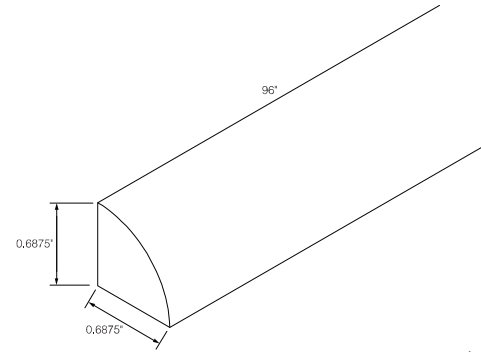
PRODUCT SPECS MOLDING & TRIM

Toe Kick



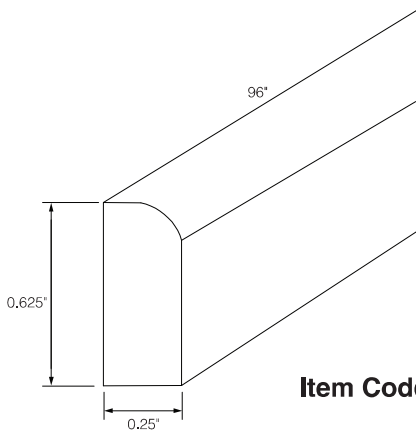
Item Code	Outer Dimensions		
	W	H	D
TKS8	96"	4.5"	0.25"

Shoe Molding



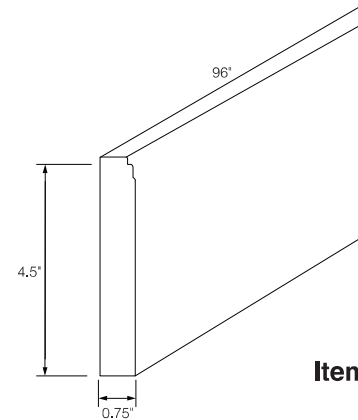
Item Code	Outer Dimensions		
	W	H	D
SHOE	96"	0.6875"	0.6875"

Scribe



Item Code	Outer Dimensions		
	W	H	D
SCRIBE	96"	0.625"	0.25"

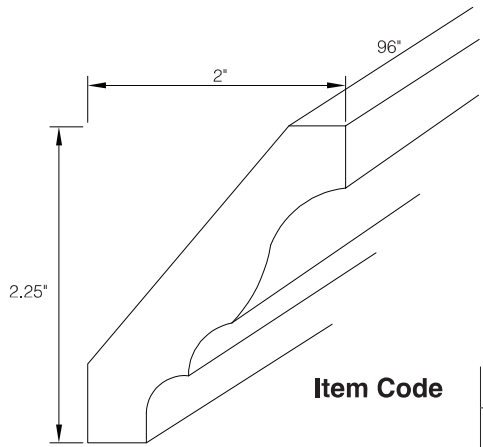
Furniture Base Molding



Item Code	Outer Dimensions		
	W	H	D
FBM8	96"	4.5"	0.75"

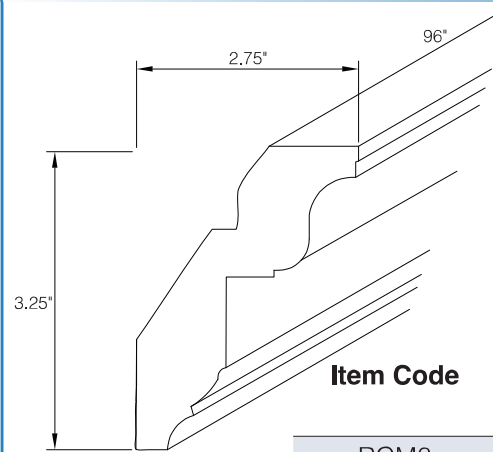
PRODUCT SPECS MOLDING & TRIM

Traditional Crown Molding



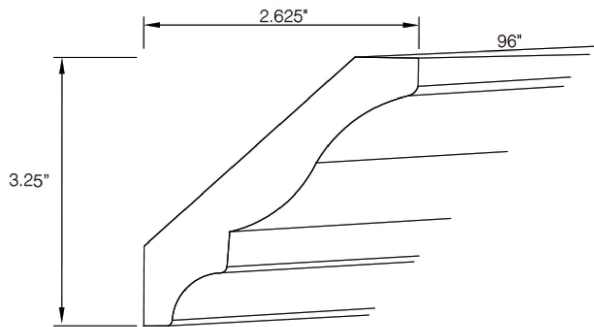
Item Code	Outer Dimensions		
	W	H	D
CM8	96"	2.25"	2"

Royal Crown Molding



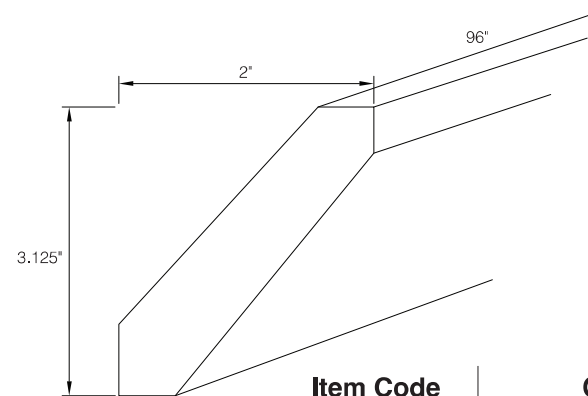
Item Code	Outer Dimensions		
	W	H	D
RCM8	96"	3.25"	2.75"

Large Crown Molding



Item Code	Outer Dimensions		
	W	H	D
BCM8	96"	3.25"	2.625"

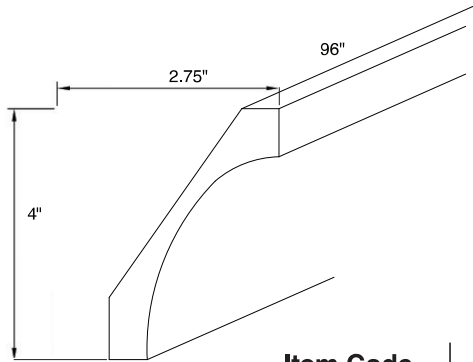
Shaker Crown Molding



Item Code	Outer Dimensions		
	W	H	D
SCM8	96"	3.125"	2"

PRODUCT SPECS MOLDING & TRIM

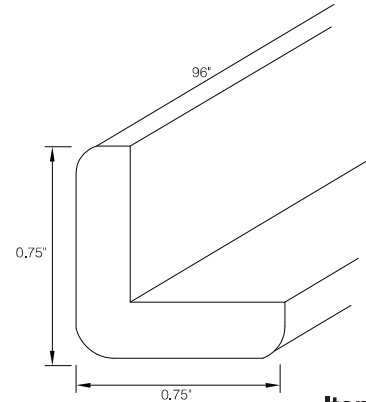
Cove Crown Molding



Item Code	Outer Dimensions		
	W	H	D
COM8	96"	3.25"	2.75"

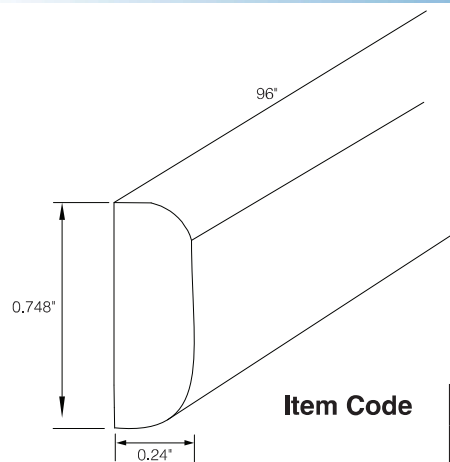
*Molding width is 5.25"

Outside Corner Molding



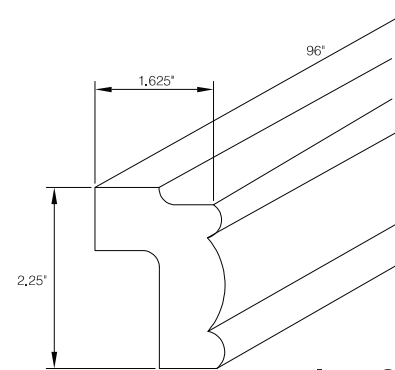
Item Code	Outer Dimensions		
	W	H	D
OCM8	96"	0.75"	0.75"

Batton Molding



Item Code	Outer Dimensions		
	W	H	D
BAM8	96"	0.748"	0.24"

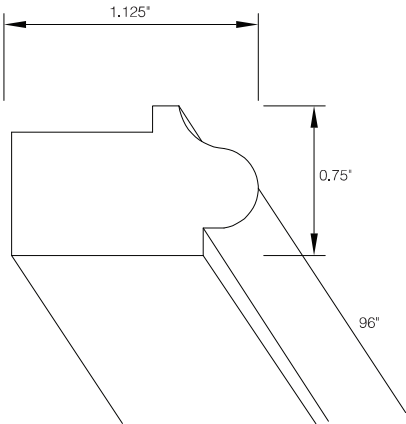
Traditional Light Rail Molding



Item Code	Outer Dimensions		
	W	H	D
LRM8	96"	2.25"	1.625"

PRODUCT SPECS MOLDING & TRIM

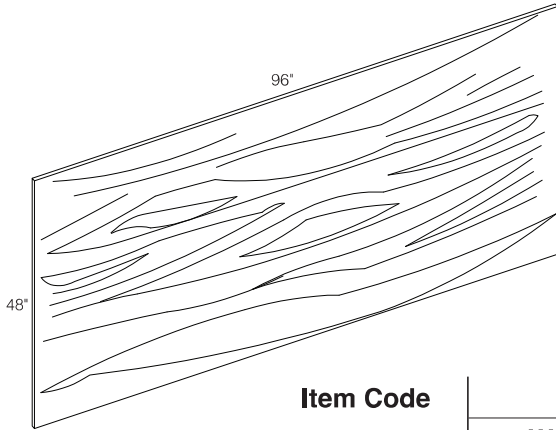
Bottom Edge Molding



Item Code	Outer Dimensions		
	W	H	D
BEM8	96"	0.75"	1.125"

PRODUCT SPECS FILLERS & PANELS

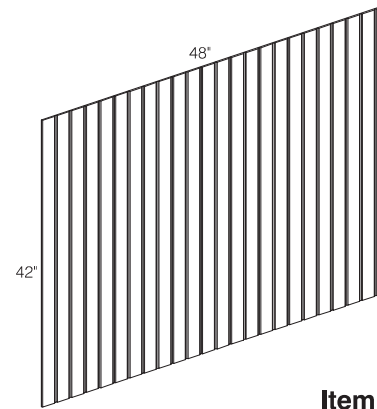
Back Panel - Long Grain



Item Code	Outer Dimensions		
	W	H	D
BPLG4896	96"	48"	0.25"

Finished on one side and UV natural finish on other side

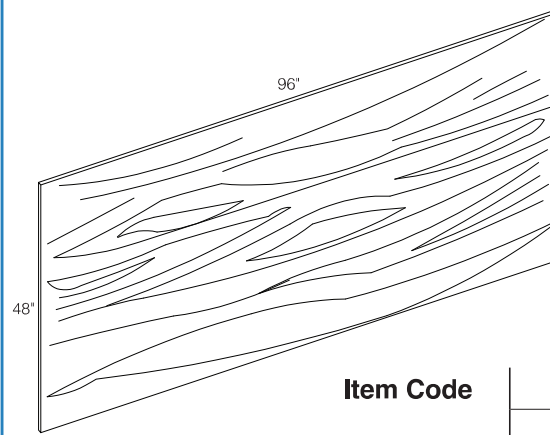
Bead Board



Item Code	Outer Dimensions		
	W	H	D
BBP4842	48"	42"	0.25"

Finished on one side and raw natural wood on other side

1/2" Thick Finished Plywood Filler

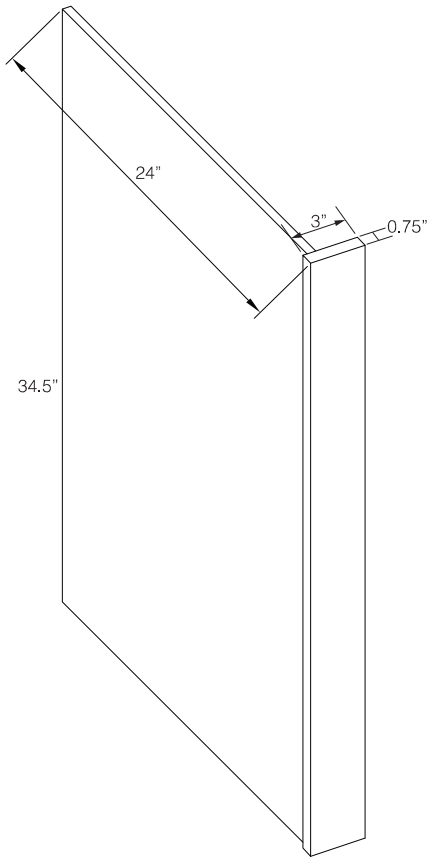


Item Code	Outer Dimensions		
	W	H	D
PSP4896	96"	48"	0.5"

Finished on one side and clear coat on the other side

PRODUCT SPECS FILLERS & PANELS

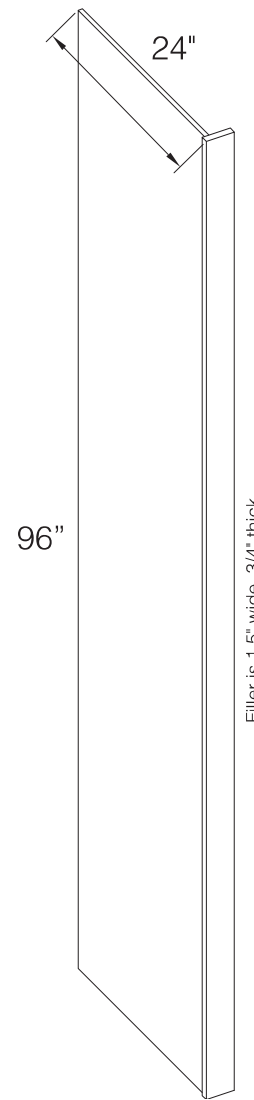
Dishwasher End Panel



Item Code	Outer Dimensions		
	W	H	D
DWR3	3"	34.5"	24"

Filler can be trimmed down to 1"
 1/2" panel thickness
 Finished one side, natural UV back
 Ships unassembled

Tall End Panel (Refrigerator Panel)



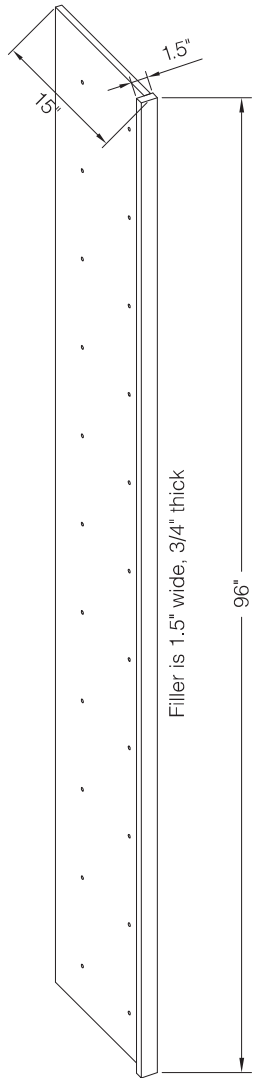
Filler is 1.5" wide, 3/4" thick

Item Code	Outer Dimensions		
	W	H	D
TEP3096	1.5"	96"	30"

1/2" panel thickness
 Finished one side, natural UV back
 Ships unassembled

PRODUCT SPECS FILLERS & PANELS

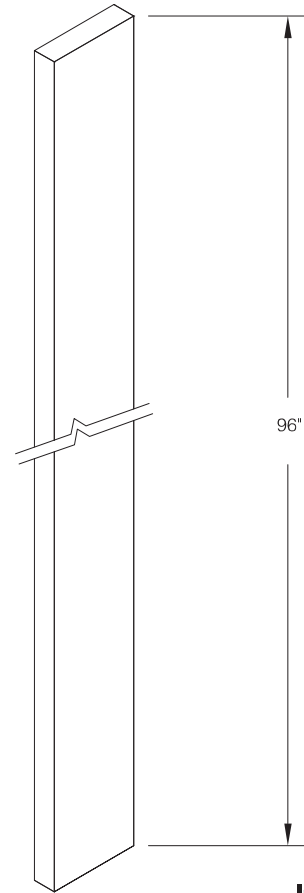
Bookcase End



Item Code	Outer Dimensions		
	W	H	D
BCE1596	1.5"	96"	15"

Does not include shelf or shelf clips.
1/2" panel thickness
Finished on both sides

Filler

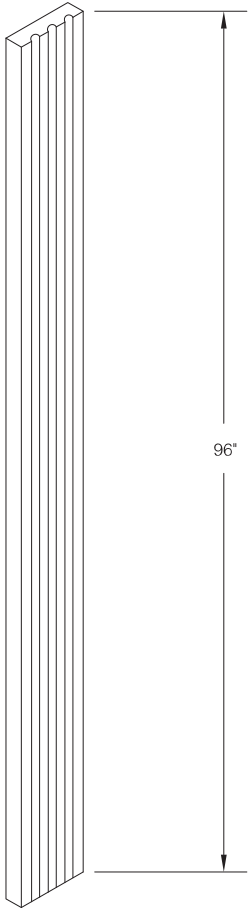


Item Code	Outer Dimensions		
	A	H	D
F396	3"	96"	0.75"
F696	6"	96"	0.75"

All four edges finished

PRODUCT SPECS FILLERS & PANELS

Fluted Filler

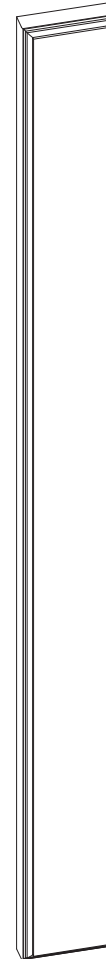


96"

Item Code	Outer Dimensions		
	W	H	D
FF396	3"	96"	0.75"

All four edges finished

Overlay Filler

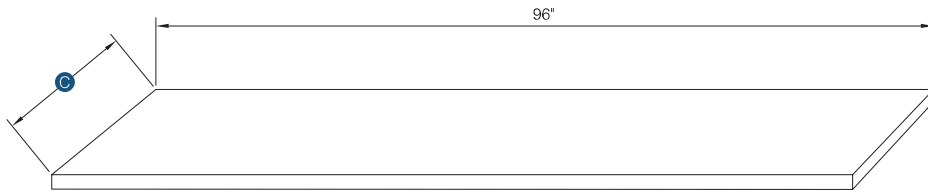


Item Code	Size		
	W	H	D
OLF330	2.5"	28.75"	0.75"
OLF336	2.5"	34.75"	0.75"
OLF342	2.5"	40.75"	0.75"
OLF630	5.5"	28.75"	0.75"

All four edges finished

PRODUCT SPECS ATTACHMENTS & INSERTS

Shelf



Item Code	Outer Dimensions		
	W	H	C
SHELF1296	96"	0.625"	12"
SHELF2496	96"	0.625"	24"

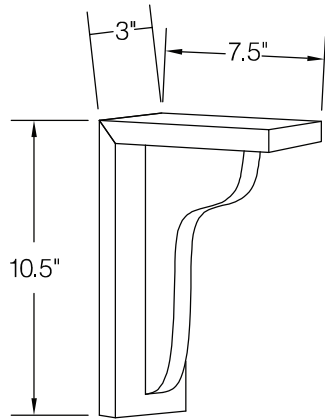
Shelf1296 available in natural or painted finish

Shelf2496 available in natural only

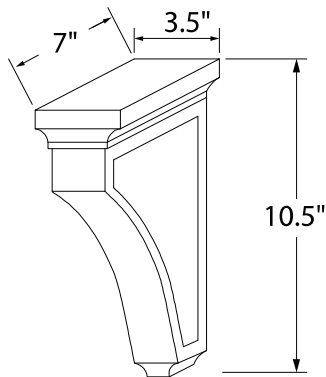
3/4' plywood construction

PRODUCT SPECS DECORATIVE ACCESSORIES

Corbels

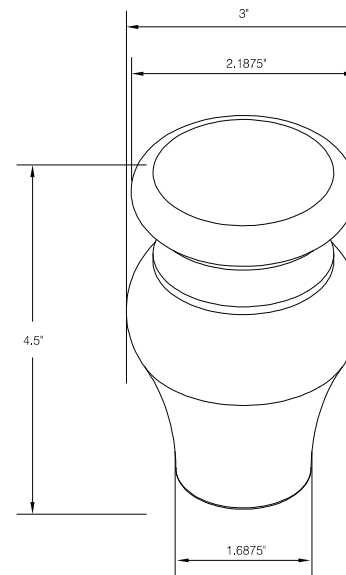


Item Code	Outer Dimensions		
	W	H	D
CORSM	3"	10.5"	7.5"

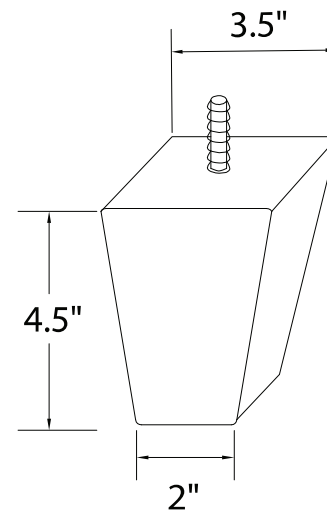


Item Code	Outer Dimensions		
	W	H	D
CORT	3.5"	10.5"	7"

Bunfeet



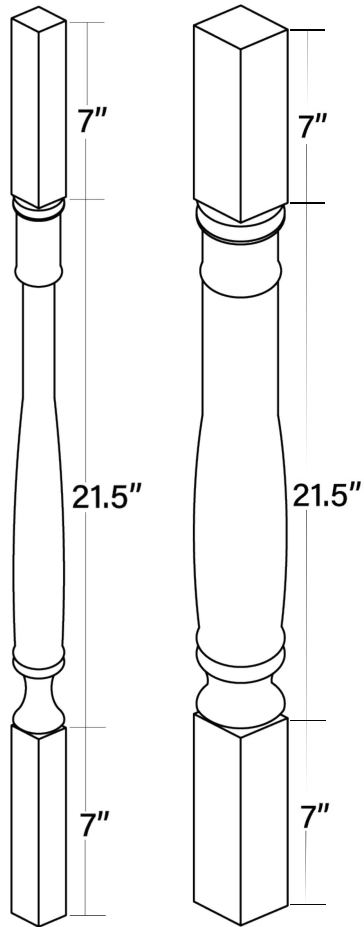
Item Code	Outer Dimensions		
	W	H	D
TBUNFOOT	3"	4.5"	3"



Item Code	Outer Dimensions		
	W	Top	Bottom
TBUNFOOT2	4.5"	3.5"	2"

PRODUCT SPECS DECORATIVE ACCESSORIES

Turned Post

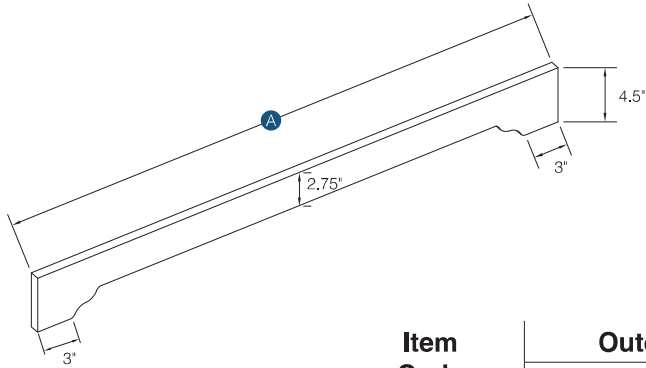


Item Code	Outer Dimensions		
	W	H	D
TPOSTP3	3"	35.5"	3"
TPOSTP5	5"	35.5"	5"

Top and bottom can be trimmed.

PRODUCT SPECS DECORATIVE ACCESSORIES

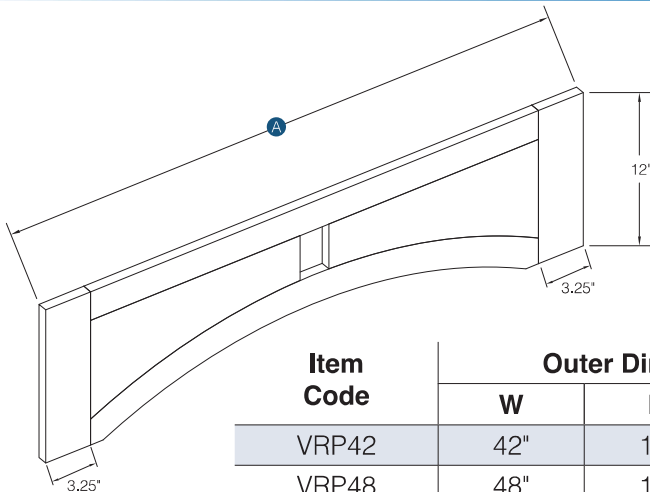
Furniture Valance



Item Code	Outer Dimensions		
	A	H	D
VFURN37	37"	4.5"	0.75"

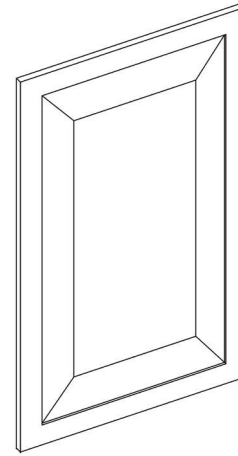
Can be trimmed up to 3" off each side

Raised Panel Valance



Item Code	Outer Dimensions		
	W	H	D
VRP42	42"	12"	0.75"
VRP48	48"	12"	0.75"

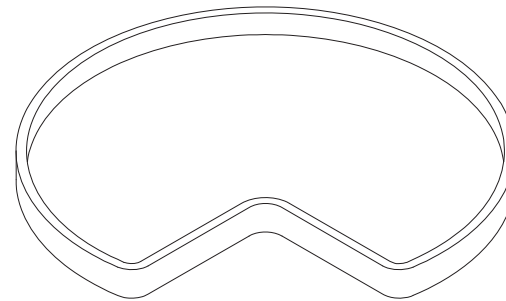
Decorative Base/Wall Panel



Item Code	Door Size		
	W	H	D
DWP1215	11.5"	13.75"	0.75"
DWP2415	23.5"	13.75"	0.75"
DWP1230	11.5"	28.75"	0.75"
DWP2430	23.5"	28.75"	0.75"
DWP1236	11.5"	34.75"	0.75"
DWP1242	11.5"	40.75"	0.75"

Panel matches door profile

Lazy Susan Kit

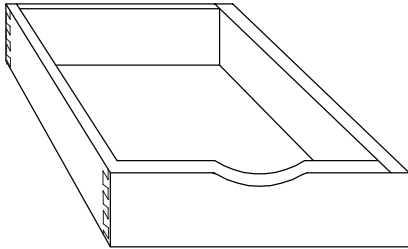


Item Code	Outer Dimensions		
	W	H	D
YN-LSK	29"	1.5"	29"

Designed to fit ER33 or ER36
Two wooden trays per set

PRODUCT SPECS ATTACHMENTS & INSERTS

Roll Out Tray



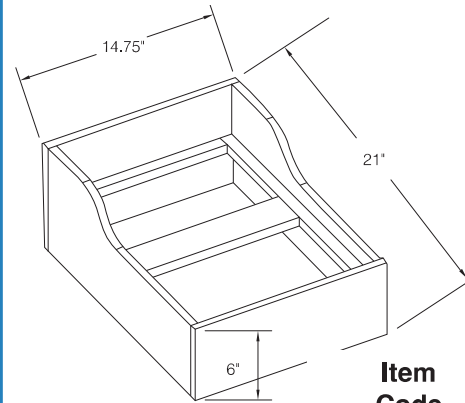
Item Code	Size		
	W	H	D
YN-ROT15-SC	11.125"	4"	21"
YN-ROT18-SC	14.125"	4"	21"
YN-ROT21-SC	17.125"	4"	21"
YN-ROT24-SC	20.125"	4"	21"
YN-ROT27-SC	23.125"	4"	21"
YN-ROT30-SC	26.125"	4"	21"
YN-ROT33-SC	29.125"	4"	21"
YN-ROT36-SC	32.125"	4"	21"

Includes two trays & four tracks

Roll Out Tray Usage Guide

Item Code	Designed to Fit
YN-ROT15-SC	B15
YN-ROT18-SC	B18, P1884, P1890, P1896
YN-ROT21-SC	B21
YN-ROT24-SC	B24, P2484, P2490, P2496
YN-ROT27-SC	B27
YN-ROT30-SC	B30, SB30, P3090, P3096
YN-ROT33-SC	B33, SB33
YN-ROT36-SC	B36, SB36

Trash Can Insert for B18



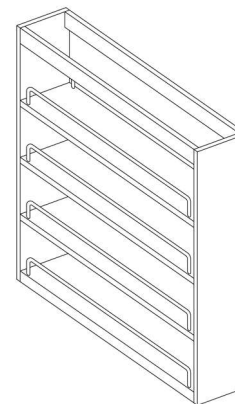
Item Code	Outer Dimensions		
	W	H	D
YN-TCCK*	14.75"	6"	21"

*Includes two 35 QT cans

*Dovetail, solid wood construction

*Undermount, full extension, soft close slides

Spice Rack Insert

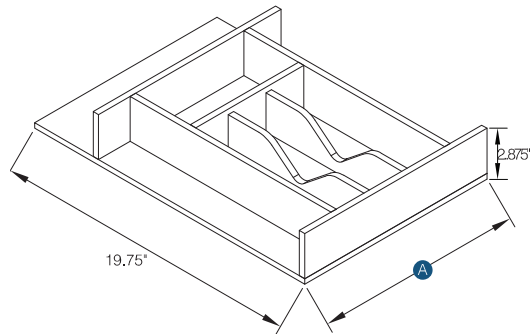


Item Code	Outer Dimensions		
	W	H	D
YN-SRI9-SC	5.75"	24"	20.5"

Slides included, designed to fit B09, measurements include slides

PRODUCT SPECS ATTACHMENTS & INSERTS

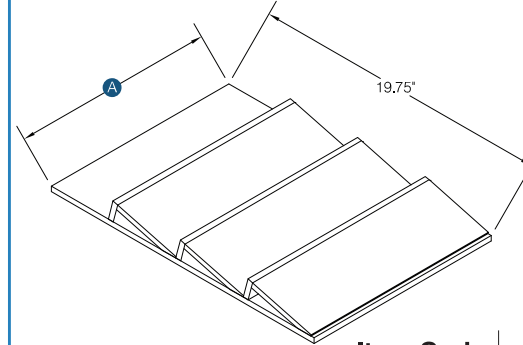
Cutlery Drawer Insert



Item Code	Size		
	A	H	D
YN-CDI14	13.375"	2.875"	19.75"
YN-CDI20	19.75"	2.875"	19.75"

CDI14 designed to fit B18 drawer. Can be trimmed to fit B15
 CDI20 designed to fit B24 drawer. Can be trimmed to fit B21

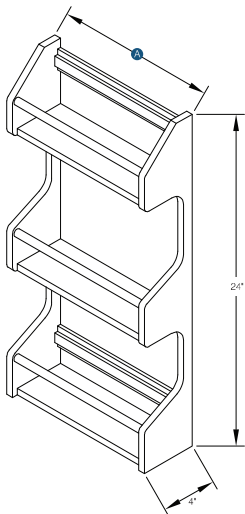
Spice Rack Tray Insert



Item Code	Outer Dimensions		
	A	H	D
YN-STI14	13.375"	1.09375"	19.75"
YN-STI20	19.75"	1.09375"	19.75"

STI14 designed to fit B18 drawer. Can be trimmed to fit B15
 STI20 designed to fit B24 drawer. Can be trimmed to fit B21

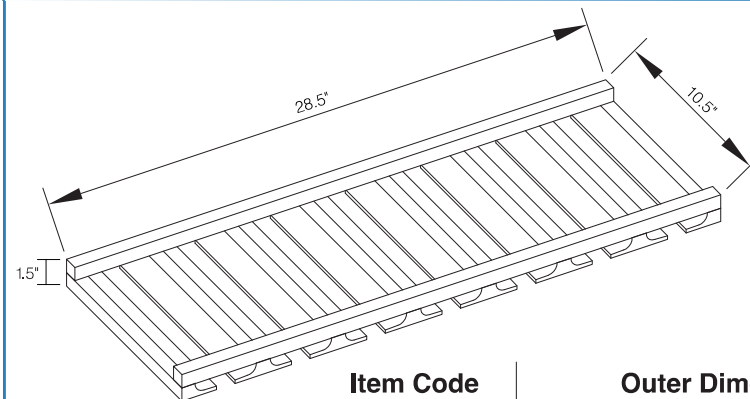
Spice Rack Door Attachment



Item Code	Size		
	A	H	D
YN-SRD12	11.5"	24"	4"
YN-SRD15	14.5"	24"	4"

SRD12 designed to attach to 17.5" door. e.g. (W1830 or W3630)
 SRD15 designed to attach to 20.5" door. e.g. (W2130 or W4230)

Stemware Rack



Item Code	Outer Dimensions		
	W	H	D
SWR3012	28.5"	1.5"	10.5"

Designed to fit under wine rack